



# Mx-UTR-L3

## TWO CHANNEL LIGHTING CONTROL MODULE

### Description

---

The Mx-UTR-L3 Lighting Control Module responds to a variety of wireless EnOcean devices to control and dim LED drivers, fluorescent ballasts, or other switchable loads. The Mx-UTR-L3 offers two channel, bi-directional, ON/OFF and 0-10V dimming control when combined with a wireless light switch or automatic shut-off when combined with a wireless occupancy sensor. Additionally, the Lighting Control Module can perform occupancy-based setback dimming and self-contained daylight harvesting functions. The Mx-UTR-L3 can be paired to compatible devices manually and for more sophisticated configuration, the MES software tool airConfig is available for download at [download.magnum-innovations.net](http://download.magnum-innovations.net).

### Operation

---

The Mx-UTR-L3 can operate on two 100 to 277 VAC circuits and includes two relays to switch up to 20A and two 0-10VDC outputs for control of dimmable loads, including electronic ballasts. The Mx-UTR-L3 receives signals from wireless sensors, switches and software as well as BACnet to EnOcean commands using Mx-EBOX.

### Applications

---

The Mx-UTR-L3 is ideal for two circuits or multiple fixtures on/off or dimming control applications. This device is appropriate for new construction as well as retrofit, including commercial offices, conference rooms, class rooms, hotels, residence halls, common areas and more.

### Features

---

- Independently controls 2 separate lighting circuits or fixtures
- Full range dimming for advanced daylighting control
- Zero crossing activation by user
- Serves as level 1 or level 2 repeater
- Dawn Control (with additional sensor)
- Adjustable ramping speed/rate of dimming
- Advanced options configured using MES provided airConfig software tool ([download.magnum-innovations.net](http://download.magnum-innovations.net))

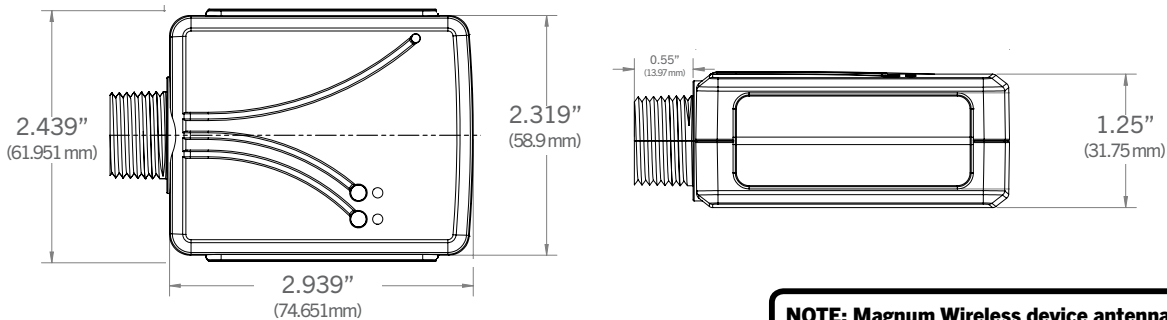
# Mx-UTR-L3

## TWO CHANNEL LIGHTING CONTROL MODULE

Part Numbers (Frequency Dependant)	M9-UTR-L3 (902 MHz - North America) M8-UTR-L3 (868 MHz - Europe and China) MJ-UTR-L3 (928 MHz - Japan)
Range	150 feet (50-150 typical)
EnOcean Profile	D2-29-07 (Proprietary)
Input Voltage	100/277 VAC
Max Switched Power	3300 W @ 277 VAC
Max Switched Current	20A
Max Switched Voltage	100/277 VAC
Relay Output	2 N.O. and 2 Common contact
Dimmer Output	(2x) 0-10V, 30 mA (sinking drivers)
Ambient Operating Temperature	0-55°C for 3300 W load @ 277 VAC <i>(Mx-UTR-L1 &amp; Mx-UTR-L2: 37°C for 3300 W load @ 277 VAC)</i>
Dimensions	2.439" x 2.939" x 1.25" (61.95mm x 74.65mm x 31.75mm)
Certifications	ETL/Intertek - Conforms to UL 244A FCC (United States) SZV-TCM3XXX IC (Canada) 5713A-TCMXXX DLC

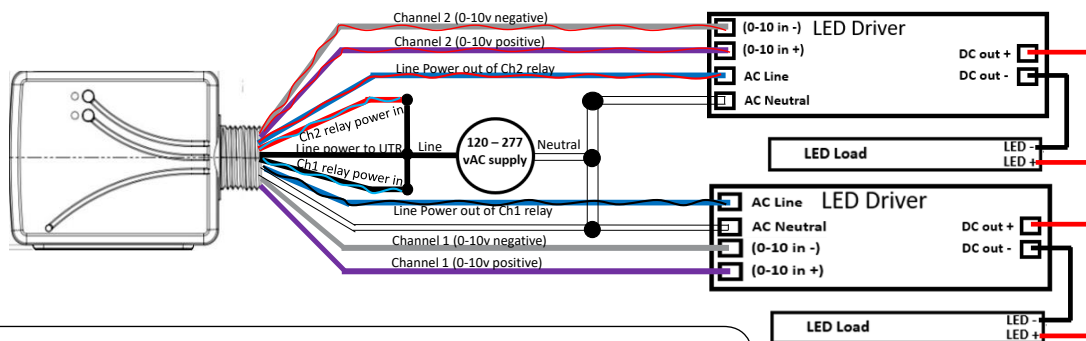


### Dimensions



**NOTE: Magnum Wireless device antenna cannot be enclosed inside a metal box. Wireless range will be greatly limited with enclosed antenna.**

### Wiring Diagram



- Channel 2 (0-10v Negative) - Grey with red stripe
- Channel 2 (0-10v Positive) - Violet with red stripe
- Line Power out of Ch2 Relay - Blue with red stripe
- Ch2 Relay Power In - Red with blue stripe
- Line Power to UTR - Black
- Ch1 Relay Power In - Black with blue stripe
- Line Power out of Ch1 Relay - Blue with black stripe
- AC Power Neutral - White
- Channel 1 (0-10v Negative) - Grey
- Channel 1 (0-10v Positive) - Violet