

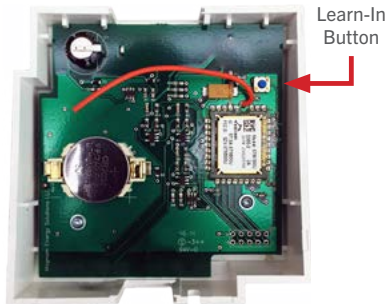
Room Temperature Sensor

Mx-RTS1



Application

Solar-powered sensors, with an intelligent transmission management, are used to measure the room temperature, and transmit this information wirelessly using the non-proprietary EnOcean wireless protocol. Special indoor solar cells collect the power required for operation and data transfer from ambient light. In unlit periods, maintenance-free gold-cap capacitors continue to feed the transmitter. The wireless transmission technology gives you a great deal of freedom in choosing the installation location.



Technical Data	
Function	Temperature Sensor
Power Supply	Solar-powered via internal energy storage unit
Protocol	Wireless EnOcean Telegram
Profile	EEP A5-02-05 temperature sensor
Transmission Range	Standard: Approximately 100 ft (30m) depending on building structure Long Range: Approximately 1600 ft (487 m) LINE OF SIGHT NOTE: Range can vary greatly based on building materials, device positioning, interference, etc. Reference the EnOcean Range Planning Guide prior to installation.
Duty Cycle	< 0.4%
Transmission Interval	Configurable in AirConfig. The default is based on change of value or every 15 minutes
Transmission Power	< 10 mW
Darkness Reserve	Up to 100 h via gold-cap capacitors
Operating Life With No Light	Up to 4 days
Illumination Strength	Min. 150 lx, constant
Measuring Range	0°C to 40°C
Ambient Conditions	0°C to 50°C (humidity non-condensing)
Housing	Plastic Housing, RAL9010 (pure white)
Degree of Protection	IP20
Weight	0.10 kg
Dimensions	WxHxD mm 82.5 x 82.5x 30
FCC	FCC (United States) SZV-TCM3XXX, 2ANUH-LSTM300U
Part Numbers (Frequency Dependant)	M9-RTS1 (902 MHz - North America) M8-RTS1 (868 MHz - Europe and China) MJ-RTS1 (928 MHz - Japan)



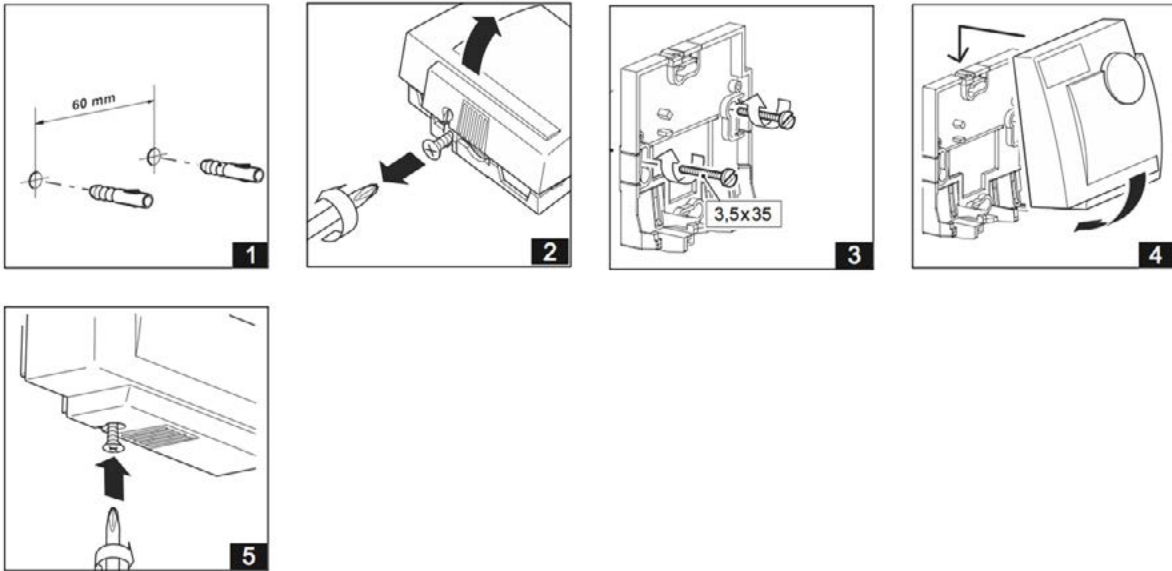
**Proudly Made
In America**

Room Temperature Sensor

Mx-RTS1



Wall Mounting:



Flush Mounting:

