



Proudly Made  
In America

# Mx-OPUS-CLML10V

## FIXTURE INTEGRATED LIGHTING CONTROL

### OVERVIEW:

Magnum's Fixture Integrated Mx-OPUS-CLML10V Node, when connected to 0-10V dim-to-off drivers, enables any lighting manufacturer to deliver simple, fully connected fixtures. The small and sleek, cylindrical form factor includes a digital PIR sensor and ambient light sensing for daylight harvesting applications as well as occupancy based control. The Mx-OPUS-CLML10V can be powered by a driver fed auxiliary source if available or from any 12-36 VDC / 12-24 VAC source. The Mx-OPUS-CLML10V allows for 0-10V dimming and dim-to-off functionality, providing continuous dimming control to conserve energy, simplify maintenance and personalize the lighting environment. The Mx-OPUS-CLML10V is appropriate for fixtures up to 15 feet and is rated for wet locations.

### OPTIONS IN OPERATION:

**Local Control:** An on board microprocessor and memory allows for standardized operation at the fixture level, eliminating the reliance on software or network configuration. Mx-OPUS-CLML10V can be utilized out of the box with default settings or configured for advanced operation through Magnum's AirConfig software tool ([download.magnum-innovations.net](http://download.magnum-innovations.net)). Preferences and behavior settings can be accomplished using simple drag and drop remote configuration in a localized fashion, even after installation is completed.

**Software Driven:** The Mx-OPUS-CLML10V can also be used with Magnum's VenergyUI software, allowing users to control lighting with their mobile devices.

**Integration to BAS:** The Mx-OPUS-CLML10V has the ability to communicate information through Magnum's eBox (Mx-EBOX) and into an existing building automation system. The convergence of lighting and building automation allows for granular information to be communicated to the BAS for improved operational efficiency.



\*Subject to change

Magnum Innovations

-1-



Proudly Made  
In America

# Mx-OPUS-CLML10V

## FIXTURE INTEGRATED LIGHTING CONTROL

### FEATURES:

- Full digital passive infrared for occupancy sensing
- Powered from driver or any available 12-36 VDC / 12-24 VAC source
- Wireless communication
- Daylight harvesting
- Compatible with 0-10V, dim-to-off LED drivers
- Remotely configurable

### TECHNICAL DATA:

Part Numbers (Frequency Dependant)	M9-OPUS-CLML10V (902 MHz - North America) M8-OPUS-CLML10V (868 MHz - Europe & China) MJ-OPUS-CLML10V (928MHz - Japan)
Motion Sensing	Digital Passive IR
Detection Distance	16.404 ft (5 m)
Detection Range (Horizontal x Vertical)	94° x 82°
Detection Zone	64 Zones
Ambient Light Sensing	0-94.8 FC (0-1020 LUX) Photo IC type
Operating Temperature	32° - 140°F (0° - 60°C) - Indoor use only
Input Voltage	12-36 VDC / 12-24 VAC
Output	0-10VDC @ 30mA (sinking driver) 5mA (sourcing driver)
Standby Power	< 1W
Enclosure	ABS Plastic
Wireless Protocol	EnOcean Wireless Protocol
Wireless Range	150 ft (50 ft to 150 ft typical)
Certifications	DLC CE
Dimensions	Tube diameter: 1.00" (25.4 mm) Tube Length: 2.815" (71.50 mm) Cap diameter: 1.202" (30.53 mm) Total Length: 3.089" (78.46 mm)

\*Subject to change

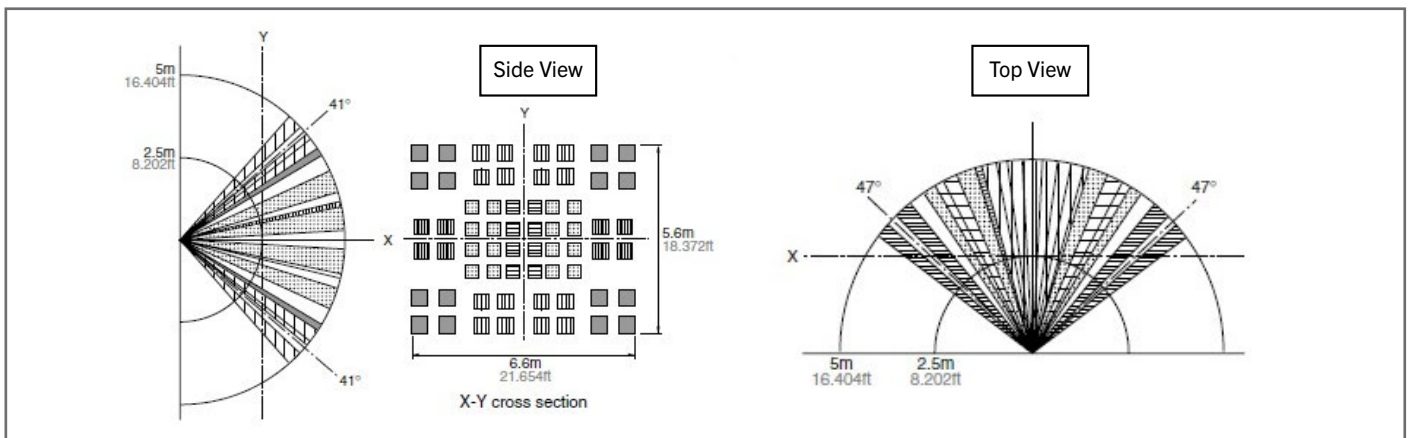


Proudly Made  
In America

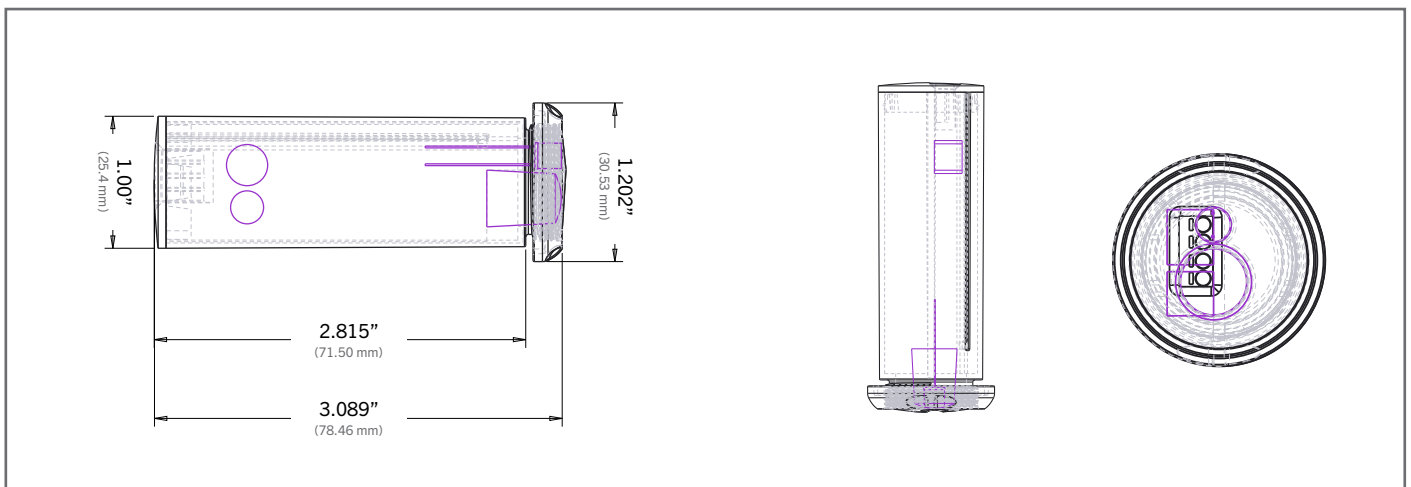
# Mx-OPUS-CLML10V

## FIXTURE INTEGRATED LIGHTING CONTROL

### DETECTION PERFORMANCE:



### DIMENSIONS:



\*Subject to change

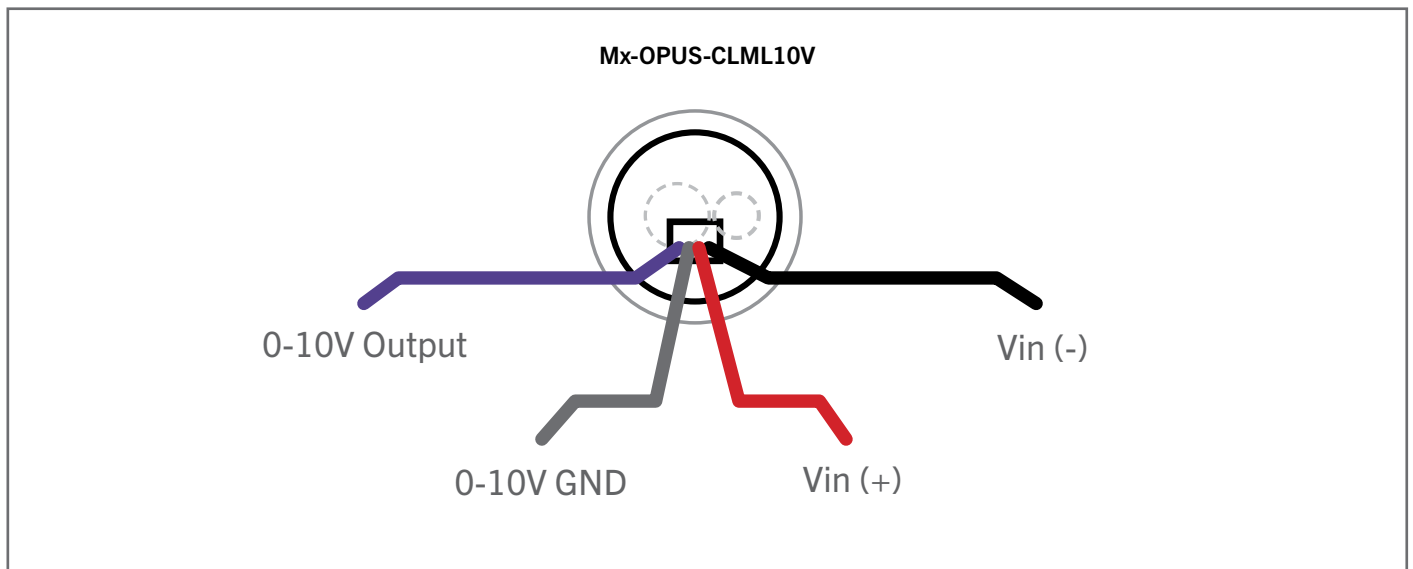


Proudly Made  
In America

# Mx-OPUS-CLML10V

## FIXTURE INTEGRATED LIGHTING CONTROL

### WIRING DIAGRAM:



**NOTE: Magnum Wireless device antenna cannot be enclosed inside a metal box. Wireless range will be greatly limited with enclosed antenna.**

### ENVIRONMENTAL CONCERNS:

- Humidity degree: 15 to 85%Rh (Avoid condensation or freezing of this product)
- Pressure: 86 to 106KPa
- Overheating, oscillations, shocks can cause the sensor to malfunction.
- This sensor is not waterproof or dust-proof. Avoid use in environments subject to excessive moisture, condensation, frost, containing salt air or dust.
- Avoid use in environments with corrosive gases.

\*Subject to change

**Magnum Innovations**