



Proudly Made
In America

Mx-OPUS-PWMLV

PWM LED DIMMING CONTROL MODULE (1 CHANNEL)

DESCRIPTION:

The Magnum PWM LED Dimming Control Module, through the use of thousands of PWM dimming steps, creates what is perceived by the natural eye as a single continuous dim, even at extremely low light levels. Magnum's PWM LED Dimming Control Module is 50%-75% smaller than similar LED dimmers. Our small form factor dimmer overcomes a major issue that most traditional LED dimmers deal with; the devices eliminate the issue of chopiness at lower dim levels.

The LED Dimming Control Module is adaptable to most environments and is ideal for energy savings applications. Whether it be daylighting, architectural dimming, load shedding, or Manual ON / Automatic OFF Control, this device is the answer. Our dimmers have the ability to be utilized for custom lighting applications as well. Magnum's wireless dimming controllers communicate with self-powered, wireless rocker switches and self-powered wireless sensors.

TECHNICAL DATA:

Part Numbers (Frequency Dependent)	M9-OPUS-PWMLV (902 MHz - North America) M8-OPUS-PWMLV (868 MHz - Europe and China) MJ-OPUS-PWMLV (928 MHz - Japan)
Input Voltage	12-24 VDC
Output Voltage	12-24 VDC
Output Current	Max 5A
Standby Power	< 1W
Number of Outputs	1
Wireless Protocol	EnOcean Wireless Protocol
Operating Temperature	32° - 140°F (0° - 60°C) - Indoor use only
EnOcean Profile	A5-38-08 Type 0x02 Dimming
Wireless Range	150 ft (50 ft-150 ft typical) / 45.72 m (15.24 m - 45.72 m)
Certifications	FCC (United States) SZV-TCM3XXX IC (Canada) 5713A-TCMXXX CE
Dimensions	W: 2.39" (60.71 mm) x H: 0.61" (15.49 mm) D: 1.26" (32.004 mm)

*Subject to change



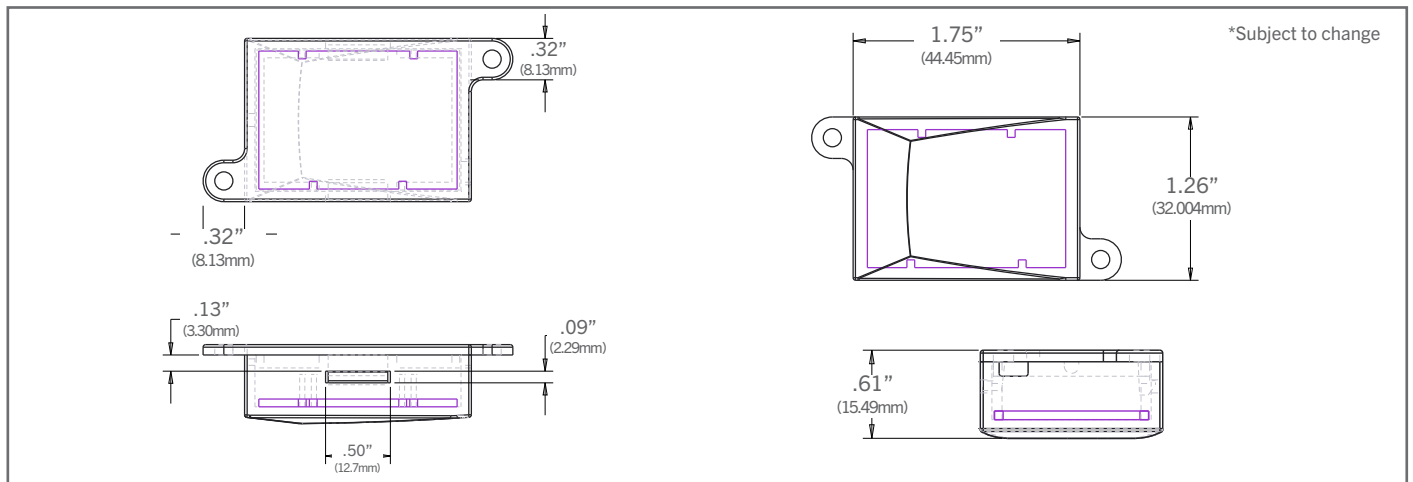
Proudly Made
In America



Mx-OPUS-PWMLV

PWM LIGHTING CONTROL DIMMING MODULE (1 CHANNEL)

DIMENSIONS:



PIGTAIL WIRING DIAGRAM & ANTENNA NOTE:

