

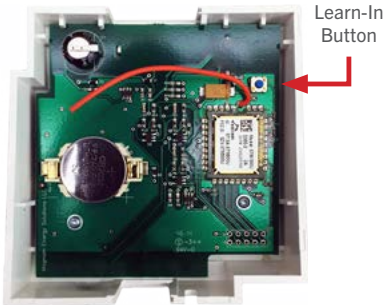
# Room Temperature Sensor

## Mx-RTS1-EXT



### Application

Solar-powered sensors, with an intelligent transmission management, are used to measure the room temperature, and transmit this information wirelessly using the non-proprietary EnOcean wireless protocol. Special indoor solar cells collect the power required for operation and data transfer from ambient light. In unlit periods, maintenance-free gold-cap capacitors continue to feed the transmitter. The wireless transmission technology gives you a great deal of freedom in choosing the installation location. The external thermistor, encapsulated within an extremely durable waterproof housing, offers highly precise temperature readings covering a distance of up to 12 ft. The external thermistor is ideal for air duct temperature sensing.



### Technical Data

Function	Temperature Sensor
Power Supply	Solar-powered via internal energy storage unit
Protocol	Wireless EnOcean Telegram
Profile	EEP A5-02-05 temperature sensor
Transmission Range	Approximately 100 feet (30m) depending on building structure
Duty Cycle	< 0.4%
Transmission Interval	Configurable in AirConfig. The default is based on change of value or every 15 minutes
Transmission Power	< 10 mW
Darkness Reserve	Up to 100 h via gold-cap capacitors
Operating Life With No Light	Up to 4 days
Illumination Strength	Min. 150 lx, constant
Measuring Range	0°C to 40°C
Ambient Conditions	0°C to 50°C (humidity non-condensing)
Plastic Housing	Plastic Housing, RAL9010 (pure white)
Thermistor Wire Size (Typical)	#24 AWG
Thermistor Wire Material	Molded Thermoplastic Elastomer
Thermistor Wire Rating	Meets or Exceeds IP68 Moisture Resistance Rating
Plastic Enclosure Degree of Protection	IP20
Plastic Enclosure Weight	0.10 kg
Plastic Enclosure Dimensions	WxHxD mm 82.5 x 82.5x 30

### Part Numbers (Frequency Dependant)

**M9-RTS1-EXT** (902 MHz - North America)  
**M8-RTS1-EXT** (868 MHz - Europe and China)  
**MJ-RTS1-EXT** (928 MHz - Japan)



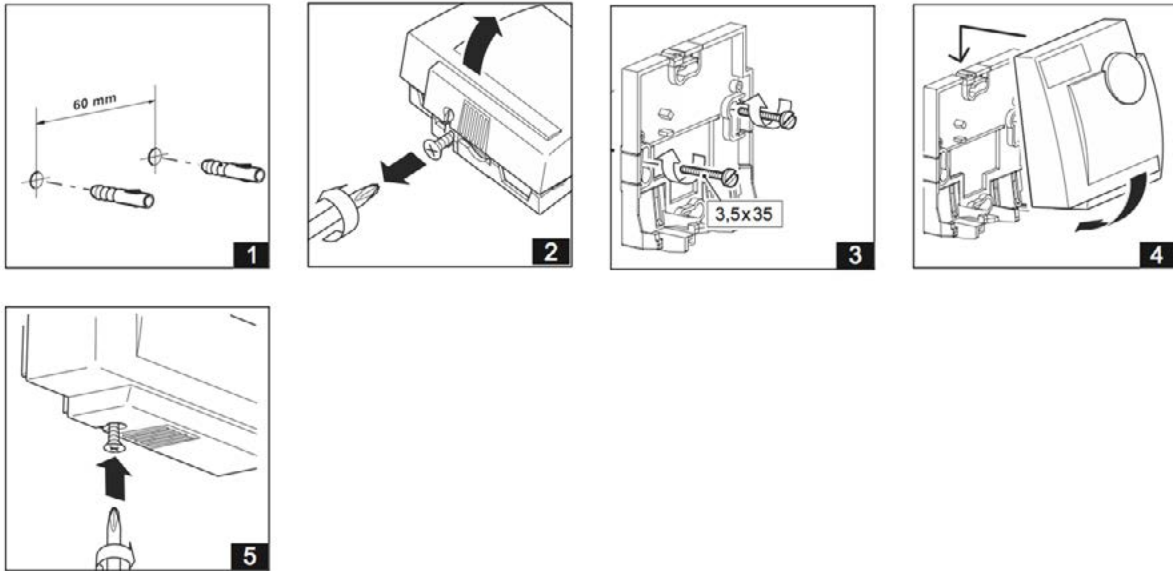
**Proudly Made  
In America**

# Room Temperature Sensor

## Mx-RTS1-EXT



### Wall Mounting:



### Flush Mounting:

