



Proudly Made In America

Mx-OPUS-LBKOD

FIXTURE INTEGRATED LIGHTING CONTROL




OVERVIEW:

Magnum’s fixture integrated Mx-OPUS-LBKOD node enables any lighting manufacturer with a high bay lighting offering to deliver simple, fully connected fixtures. The form factor includes a digital PIR and ambient light sensing for daylight harvesting applications as well as very accurate occupancy detection. Easy to integrate into a high bay fixture through an available half inch knock out, OPUS node bi-directionally communicates data to and from the lighting control network. When connected to a Philips Advance Xitanium SR LED driver, the Mx-OPUS-LBKOD is able to be powered from the driver and can extract critical data from the driver, including power reading.

DESCRIPTION:

The Mx-OPUS-LBKOD is designed to fit into most low bay LED lighting fixtures. The digital PIR sensor is rated for ceilings up to 15 feet. Although configurable for advanced settings, the Mx-OPUS-LBKOD is designed for plug and play applications. It is flexible enough for both localized control as well as software driven enhancement and also integration for BACnet through Magnum’s eBox (Mx-EBOX). The critical data points provided from this node includes occupancy status, light levels, light status and power reading.

THREAD PLACEMENT PART NUMBERS:

<p>Mx-OPUS-LBKOD-SS ("x" = Frequency Dependant)</p>	<p>M9 - (902 MHz - North America) M8 - (868 MHz - Europe & China) MJ- (928MHz - Japan)</p>	
<p>Mx-OPUS-LBKOD-LS ("x" = Frequency Dependant)</p>	<p>M9 - (902 MHz - North America) M8 - (868 MHz - Europe & China) MJ- (928MHz - Japan)</p>	
<p>Mx-OPUS-LBKOD-BS ("x" = Frequency Dependant)</p>	<p>M9 - (902 MHz - North America) M8 - (868 MHz - Europe & China) MJ- (928MHz - Japan)</p>	

*Subject to change



Proudly Made
In America

Mx-OPUS-LBKOD

FIXTURE INTEGRATED LIGHTING CONTROL

TECHNICAL DATA:

Motion Sensing	Digital Passive IR
Detection Distance	16.404 ft (5 m)
Detection Range (Horizontal x Vertical)	94° x 82°
Detection Zone	64 Zones
Ambient Light Sensing	0-94.8 FC (0-1020 LUX) Photo IC type
Operating Temperature	32° to 140°F (0° to 60°C)
Minimum Power Requirement	16V @24mA from DALI driver
Standby Power	< 1W
Enclosure	ABS Plastic
Radio Frequency	868 MHz, 902 MHz, 928 MHz
Wireless Protocol	EnOcean Wireless Protocol
Wireless Range	150 ft (50 ft to 150 ft typical)
Certifications	IEC 62386-101:2014 IEC 62386-103:2014 DLC



*Subject to change

Magnum Energy Solutions, LLC

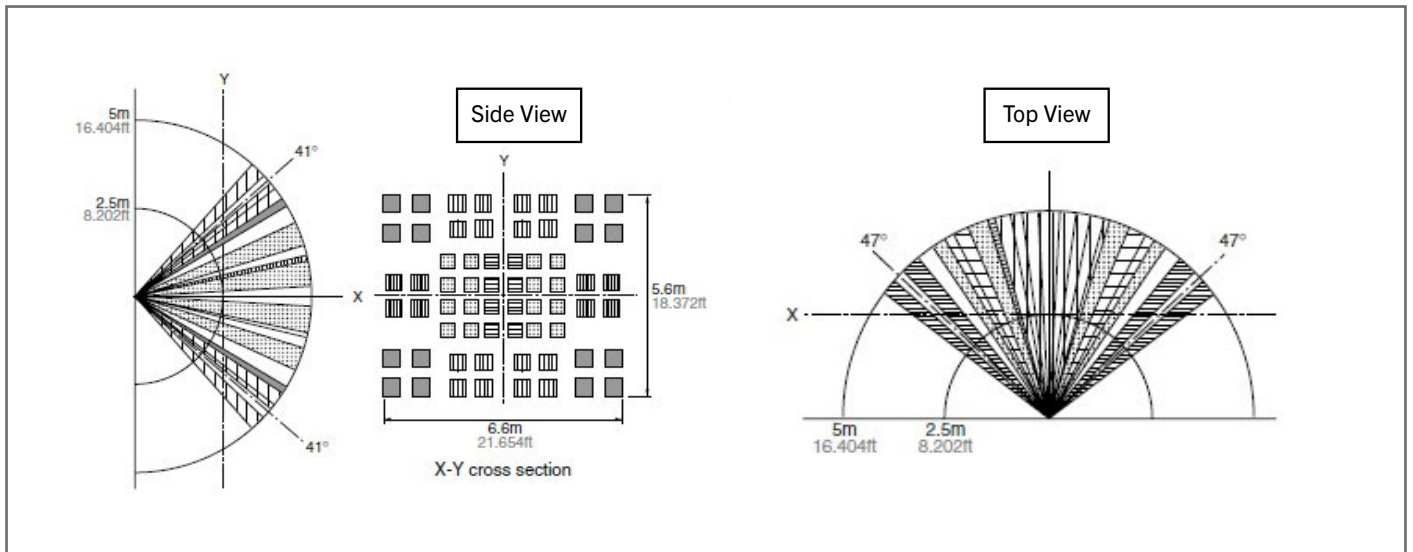


Proudly Made
In America

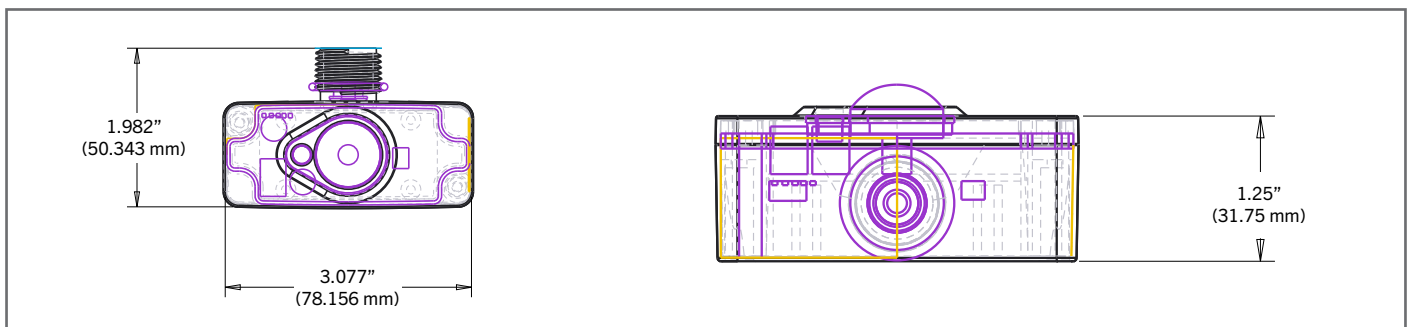
Mx-OPUS-LBKOD

FIXTURE INTEGRATED LIGHTING CONTROL

DETECTION PERFORMANCE:



DIMENSIONS:



*Subject to change

Magnum Energy Solutions, LLC

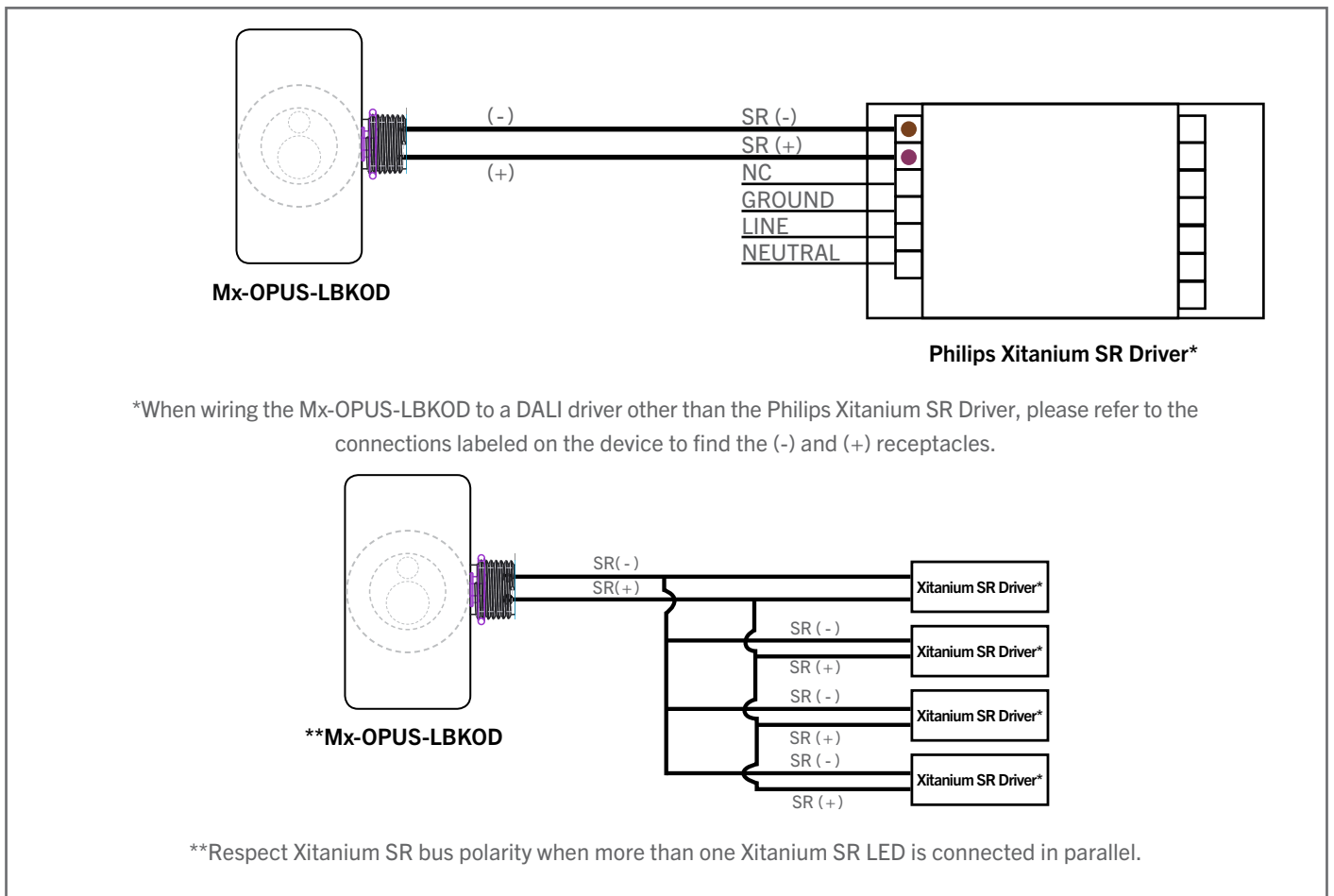


Proudly Made
In America

Mx-OPUS-LBKOD

FIXTURE INTEGRATED LIGHTING CONTROL

WIRING DIAGRAM:



For tutorial videos regarding the OPUS product line, please visit MES on [YouTube](#).

*Subject to change