

Mx-UTR-L3

TWO CHANNEL LIGHTING CONTROL MODULE

Description

The Mx-UTR-L3 Lighting Control Module responds to a variety of wireless EnOcean devices to control and dim LED drivers, fluorescent ballasts, or other switchable loads. The Mx-UTR-L3 offers two channel, bi-directional, ON/OFF and 0-10V dimming control when combined with a wireless light switch or automatic shut-off when combined with a wireless occupancy sensor. Additionally, the Lighting Control Module can perform occupancy-based setback dimming and self-contained daylight harvesting functions. The Mx-UTR-L3 can be paired to compatible devices manually and for more sophisticated configuration, the MES software tool airConfig is available for download at download.magnumes.net.

Operation

The Mx-UTR-L3 can operate on two 100 to 277 VAC circuits and includes two relays to switch up to 20A and two 0-10VDC outputs for control of dimmable loads, including electronic ballasts. The Mx-UTR-L3 receives signals from wireless sensors, switches and software as well as BACnet to EnOcean commands using Mx-EBOX.

Applications

The Mx-UTR-L3 is ideal for two circuits or multiple fixtures on/off or dimming control applications. This device is appropriate for new construction as well as retrofit, including commercial offices, conference rooms, class rooms, hotels, residence halls, common areas and more.

Features

- Independently controls 2 separate lighting circuits or fixtures
- Full range dimming for advanced daylighting control
- Zero crossing activation by user
- Serves as level 1 or level 2 repeater
- Dawn Control (with additional sensor)
- Adjustable ramping speed/rate of dimming
- Advanced options configured using MES provided airConfig software tool (download.magnumes.net)

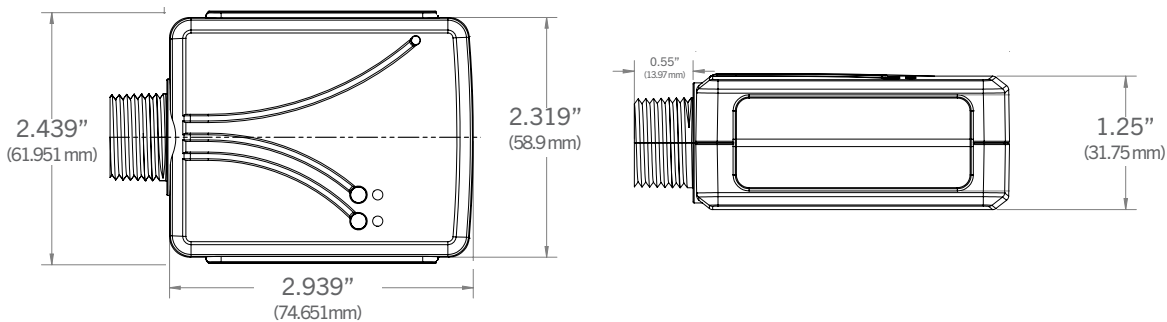
Mx-UTR-L3

TWO CHANNEL LIGHTING CONTROL MODULE

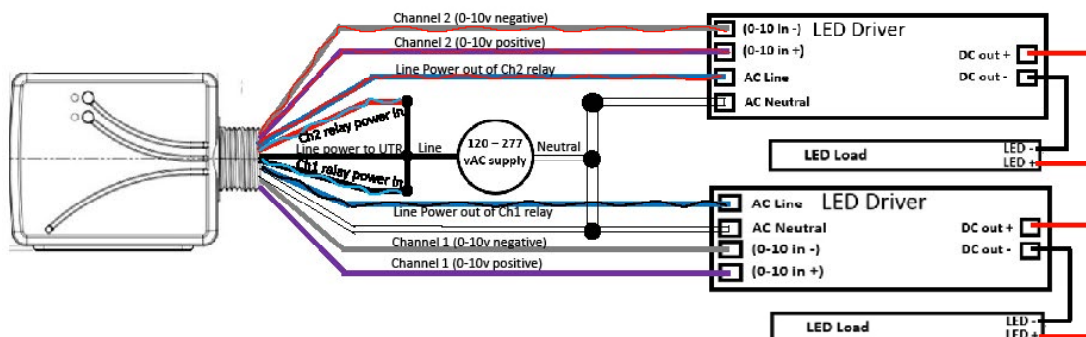
| | |
|------------------------------------|--|
| Part Numbers (Frequency Dependant) | M9-UTR-L3 (902 MHz - North America) M8-UTR-L3 (868 MHz - Europe and China) MJ-UTR-L3 (928 MHz - Japan) |
| Range | 150 feet (50-150 typical) |
| EnOcean Profile | D2-29-07 (Proprietary) |
| Input Voltage | 100/277 VAC |
| Max Switched Power | 3300 W @ 277 VAC |
| Max Switched Current | 20A |
| Max Switched Voltage | 100/277 VAC |
| Relay Output | 2 N.O. and 2 Common contact |
| Dimmer Output | (2x) 0-10V, 30 mA (sinking drivers) |
| Ambient Operating Temperature | 0-55°C for 3300 W load @ 277 VAC <i>(Mx-UTR-L1 & Mx-UTR-L2: 37°C for 3300 W load @ 277 VAC)</i> |
| Dimensions | 2.439" x 2.939" x 1.25" (61.95mm x 74.65mm x 31.75mm) |
| Certifications | ETL/Intertek - Conforms to UL 244A FCC (United States) SZV-TCM3XXX IC (Canada) 5713A-TCMXXX DLC |



Dimensions



Wiring Diagram



- Channel 2 (0-10v Negative) - Grey with red stripe
- Channel 2 (0-10v Positive) - Violet with red stripe
- Line Power out of Ch2 Relay - Blue with red stripe
- Ch2 Relay Power In - Red with blue stripe
- Line Power to UTR - Black
- Ch1 Relay Power In - Black with blue stripe
- Line Power out of Ch1 Relay - Blue with black stripe
- AC Power Neutral - White
- Channel 1 (0-10v Negative) - Grey
- Channel 1 (0-10v Positive) - Violet