

Mx-USR-L3

Lighting Control Module



Product Image



*PATENT PENDING

Features

- Full range dimming for advanced daylighting control
- Zero crossing activation determined by user
- Serves as level 1 or level 2 wireless repeater
- Built in Dawn Control
- Adjustable ramping speed/rate of dimming
- Advanced options configured using MES provided airConfig software tool (download.magnumes.net)

Product Overview

Description

The Mx-USR-L3 Lighting Control Module responds to a variety of wireless EnOcean devices to control and dim LED drivers, fluorescent ballasts, or other switchable loads. The Mx-USR-L3 offers bi-directional, ON/OFF and 0-10V dimming control when combined with a wireless light switch or automatic shut-off when combined with a wireless occupancy sensor. Additionally, the Lighting Control Module can perform occupancy-based setback dimming and self-contained daylight harvesting functions. The Mx-USR-L3 can be paired to compatible devices manually and for more sophisticated configuration, the MES software tool airConfig is available for download at download.magnumes.net. For manual pairing instructions, please refer to the Mx-USR-L3 Installation Guide.

Operation

The Mx-USR-L3 operates on 100 to 277 VAC and includes one relay to switch up to 20A amps. Also includes 0-10V DC output for control of dimmable loads, including electronic ballasts. The Mx-USR-L3 receives signals from wireless sensors, switches and software as well as BACnet to EnOcean commands using Mx-EBOX.

Applications

The Mx-USR-L3 is ideal for single or multiple fixtures on/off or dimming control applications. This device is appropriate for new construction as well as retrofit, including commercial offices, conference rooms, class rooms, hotels, residence halls, common areas and more.

Compatible Devices

- Mx-ML2 (Occ / Lux Sensor)
- Mx-EOSW (Wall Mounted Occ Sensor)
- Mx-SW2 (Wireless Double Rocker Switch)
- Mx-EDRP (Wireless Double Rocker Switch)
- Mx-AP2 (Access Point)
- Mx-EOSC (Ceiling Mounted Occ Sensor)
- Mx-SW1 (Wireless Single Rocker Switch)
- Mx-ESRP (Wireless Single Rocker Switch)
- Mx-EBOX (BACnet IP Gateway)



Proudly Made
In America

Mx-USR-L3

Lighting Control Module

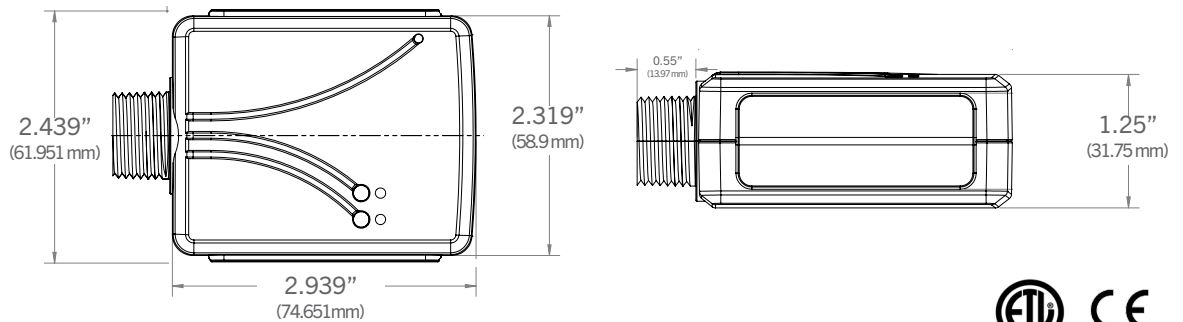


Technical Specifications

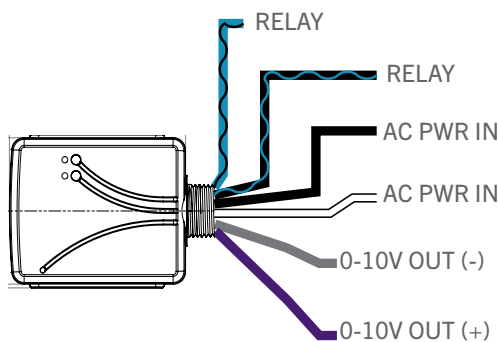
Part Numbers (Frequency Dependant)	M9-USR-L3 (902 MHz - North America) M8-USR-L3 (868 MHz - Europe and China) MJ-USR-L3 (928 MHz - Japan)
Range	150 feet (50-150 typical) / 45.72 m (15.24 m - 45.72 m)
EnOcean Profile	A5-38-08 Type 0x02 Dimming
Input Voltage	100-277 VAC
Max Switched Power	3300W @ 277VAC
Max Switched Current	20A
Relay Output	1 N.O. (normally opened) and 1 Common contact
Dimmer Output	0-10V, 30 mA (sinking drivers) 5mA (sourcing drivers)
Ambient Operating Temperature	37°C for 3300 W load @ 277 VAC
Dimensions	2.439" x 2.939" x 1.25" (61.95mm x 74.65mm x 31.75mm)
Certifications	ETL/Intertek - Conforms to UL 244A FCC (United States) SZV-TCM3XXX IC (Canada) 5713A-TCMXXX CE

Dimensions & Controls

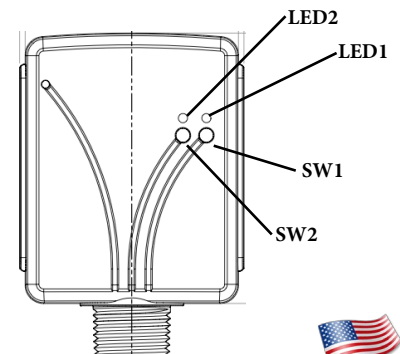
Dimensions



Wiring & Controls Overview



Always have LEDs and SWs accessible upon installation.



Proudly Made In America