

# Mx-USR-L1PWM

## PWM LIGHTING CONTROL MODULE

### Description

The Mx-USR-L1PWM Lighting Control Module responds to a variety of wireless EnOcean devices to control and dim LED drivers, fluorescent ballasts, or other switchable loads. The Mx-USR-L1PWM offers bi-directional, ON/OFF and PWM dimming control when combined with a wireless light switch or automatic shut-off when combined with a wireless occupancy sensor. Additionally, the Lighting Control Module can perform occupancy-based setback dimming and self-contained daylight harvesting functions. The Mx-USR-L1PWM can be paired to compatible devices manually and for more sophisticated configuration, the MES software tool airConfig is available for download at [download.magnumes.net](http://download.magnumes.net).

### Operation

The Mx-USR-L1 operates on 100 to 277 VAC and includes one relay to switch up to 20A and one PWM output for control of dimmable loads, including electronic ballasts. The Mx-USR-L1PWM receives signals from wireless sensors, switches and software as well as BACnet to EnOcean commands using Mx-eBox.

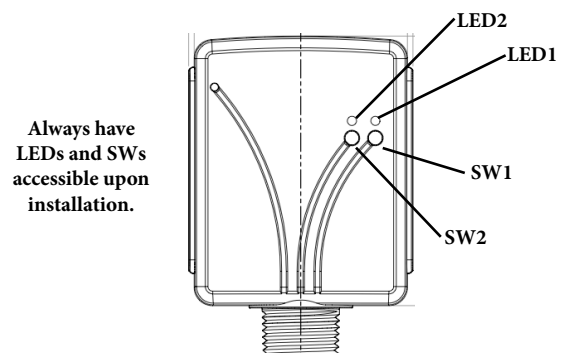
### Features

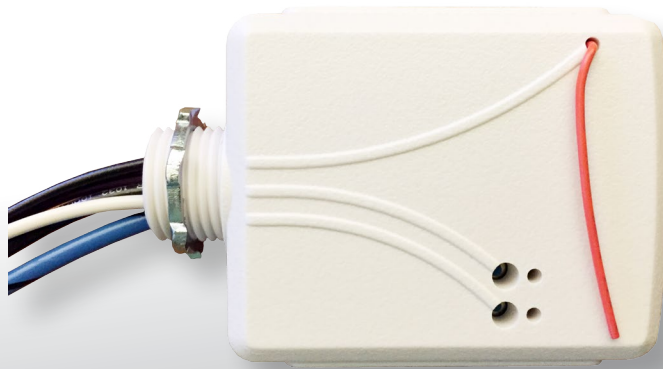
- Full range dimming for advanced daylighting control
- Zero crossing activation determined by user
- Serves as level 1 or level 2 wireless repeater
- Built in Dawn Control
- Adjustable ramping speed / rate of dimming
- Advanced options configured using MES provided airConfig software tool ([download.magnumes.net](http://download.magnumes.net))

### Applications

The Mx-USR-L1PWM is ideal for single or multiple fixtures on/off or dimming control applications. This device is appropriate for new construction as well as retro fit, including commercial offices, conference rooms, class rooms, hotels, residence halls, common areas and more.

### Controls Overview





# Mx-USR-L1PWM

## PWM LIGHTING CONTROL MODULE

Part Numbers (Frequency Dependant)	M9-USR-L1PWM (902 MHz - North America) M8-USR-L1PWM (868 MHz - Europe and China) MJ-USR-L1PWM (928 MHz - Japan)
Range	150 feet (50-150 typical) / 45.72 m (15.24 m - 45.72 m)
EnOcean Profile	A5-38-08 Type 0x02 Dimming
Input Voltage	100-277 VAC
Max Switched Power	3300W @ 277VAC
Max Switched Current	20A
Max Switched Voltage	100/277 VAC
Relay Output	1 N.O. (normally opened) and 1 Common contact
Dimmer Output	PWM Voltage: 11V ± 2V Frequency Range: 2 KHz ± 100Hz Duty Cycle: 1% - 99%
Ambient Operating Temperature	37°C for 3300 W load @ 277 VAC
Dimensions	2.439" x 2.939" x 1.25" (61.95mm x 74.65mm x 31.75mm)
Certifications	ETL/Intertek - Conforms to UL 244A FCC (United States) SZV-TCM3XXX IC (Canada) 5713A-TCMXXX CE



### Dimensions

