

# Product Installation Guide



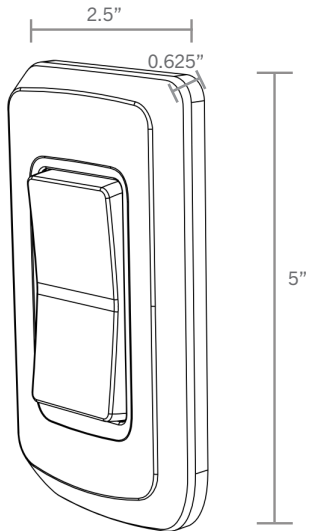
## Wireless Light Switches Mx-SW1



### Description:

The light switch is a battery free wireless transmitter that communicates with a wide variety of receivers. Every time the light switch is pressed, a small micro generator produces a small electrical current that powers a built in transmitter. This transmitter sends wireless signals that command the relay/receiver to turn a device off or on. With an appropriate receiver, the switch can even be used to control the dimming of lights.

### Dimensional Line Drawing & Technical Specifications:



Part Numbers (Frequency Dependant)	M9-SW1 (902 MHz - North America) M8-SW1 (868 MHz - Europe & China) MJ-SW1 (928 MHz - Japan)
Range	150 feet (typical)
Power Supply	Self-generated
Dimensions	2.5 x 5 x 0.625 inches
Radio Certification	FCC (United States) SZV-PTM210U I.C. (Canada) 5713A-PTM210U

### Features Include:

- Mounts easily, either on an existing light switch plate or can be placed anywhere in a room.
- Can create 3-way and 4-way switches
- Has the ability to control lights, motors and other electrical loads
- Reconfigure and relocate as needed
- Can turn on, off and also dim lights

### Equipment for Installation:

- Double sided tape (for tape mounting)
- Slotted & Phillips Screwdriver
- Plastic wall anchors and screws (for screw mounting)
- Leveling tool
- Drill

### Planning for Installation:

- Take a moment to prepare for installation and ensure optimal communications with other system components in the space.
- Consider any materials or obstacles that may interfere with RF signals, such as metal and concrete.

WARNINGS: To avoid fire, shock or death; turn off power at circuit breaker or fuse panel and test that power is off before wiring.

### Installation:

#### SCREW SURFACE MOUNT:

1. First, determine the proper height on the wall to mount the switch. Keep it in line with other light switches in the space.
2. If necessary, drill pilot holes into the wall.
3. Use suitable screws (not included) to mount the wireless switch to the wall.
4. Attach the switch to the back plate using the screws included.
5. Attach the faceplate after the switch has been attached to the wall.

#### ADHESIVE SURFACE MOUNT:

1. Determine the appropriate location for the switch in the space.
2. Apply adhesive tape to the back plate of the switch
3. Affix the switch to the wall or to the selected location

#### SWITCH BOX MOUNT:

1. Set aside the back plate of the switch as it is not needed for this kind of installation
2. Attach the switch into the screw holes on the switch box using the machine screws provided
3. Attach the faceplate after the switch has been attached to the switch box.

### User Guide:

When used to control lights, which is the primary usage for this device, occupants will utilize this switch like any other light switch in a space. To turn lights "on", simply press the upper part of the light switch until you hear an audible "click". To turn lights "off", simply press the lower part of the light switch until you hear an audible "click". To dim lights down, press and hold the lower part of the light switch. To dim lights up, press and hold the upper part of the light switch.