

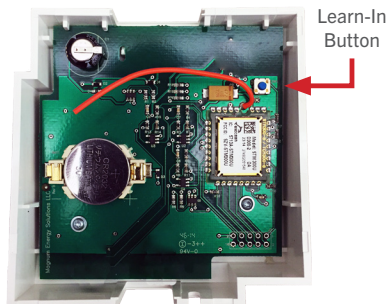
Room Temperature / rH Sensor

Mx-RTHS1



Application

Solar-powered sensors, with an intelligent transmission management, are used to measure the room temperature and room rH, and transmit this information wirelessly using the non-proprietary EnOcean wireless protocol. Special indoor solar cells collect the power required for operation and data transfer from ambient light. In unlit periods, maintenance-free gold-cap capacitors continue to feed the transmitter. The wireless transmission technology gives you a great deal of freedom in choosing the installation location.



Technical Data

Function	Temperature Sensor, Relative Humidity Sensor
Power Supply	Solar-powered via internal energy storage unit.
Interfaces	<ul style="list-style-type: none"> - Wireless telegram: EnOcean wireless telegram. - Mx-RTHS1 - EEP A5-04-01 temperature / humidity sensor. - Frequency: 868 MHz, 902 MHz & 928 MHz - Operating Range: Approx. 30 m in buildings (depending on building structure) - Duty Cycle: < 0.4% - Transmission interval of 110s if there is significant change in temperature or if manually operated (Adjustable)
Transmission Power	< 10 mW
Darkness Reserve	Up to 100 h via gold-cap capacitors.
Illumination Strength	Min. 150 lx, constant.
Measuring Range	0°C to 40°C
Ambient Conditions	0°C to 50°C (humidity non-condensing)
Housing	Plastic Housing, RAL9010 (pure white)
Degree of Protection	IP20
Weight	0.10 kg
Dimensions	WxHxD mm 82.5 x 82.5x 30

Part Numbers

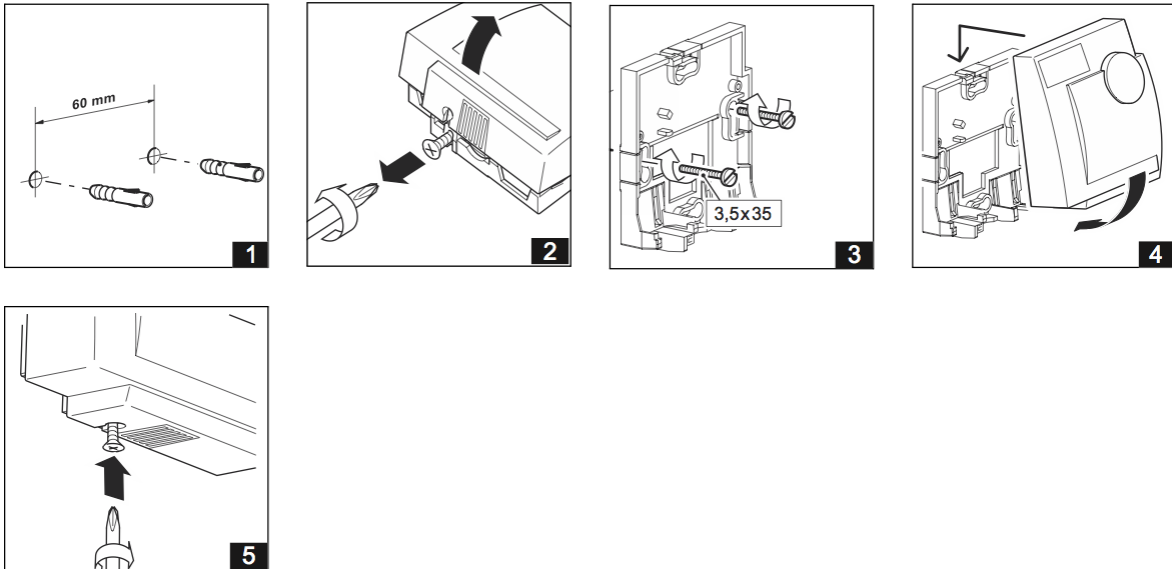
(Frequency Dependant)

M9-RTHS1 (902 MHz - North America)
M8-RTHS1 (868 MHz - Europe and China)
MJ-RTHS1 (928 MHz - Japan)

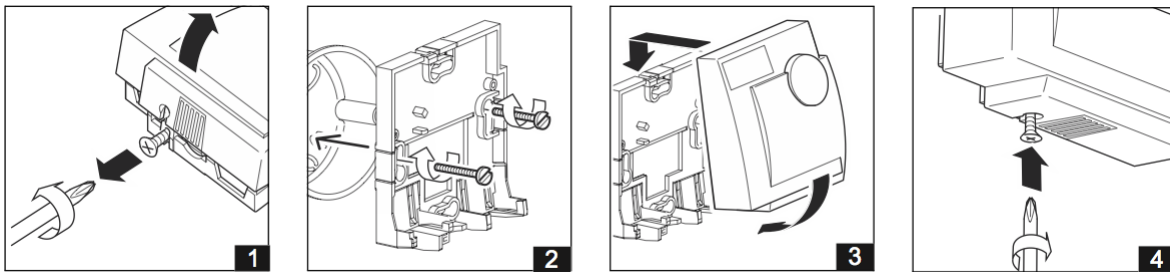
Room Temperature / rH Sensor

Mx-RTHS1

Wall Mounting:



Flush Mounting:



Related Products:



Key Card
Reader



Occupancy/LUX
Combination Sensor



Mx-USR-L1
0-10V Dimmer Relay



Window / Door
Sensor