



Proudly Made
In America

Mx-OPUS-LPML

WIRED MOTION SENSOR

OVERVIEW:

The Mx-OPUS-LPML provides a lighting OEM with considerable flexibility when it comes to incorporating the sensor into their fixture. The Mx-OPUS-LPML is paired with either the Mx-OPUS-DRD, Mx-OPUS-DR10V, Mx-OPUS-DRDLV or the Mx-OPUS-DRDHV. The Mx-OPUS-LPML includes a digital LUX sensor and a PIR occupancy sensor. The two piece scenario allows for flexibility when installing into fixtures where there isn't significant room for an all-in-one option. This node is rated for up to 15 feet (4.5 meters) and is also UL listed.

TECHNICAL DATA:

Part Numbers (Frequency Dependant)	M9-OPUS-LPML (902 MHz - North America) M8-OPUS-LPML (868 MHz - Europe and China) MJ-OPUS-LPML (928 MHz - Japan)
Motion Sensing	Digital Passive IR
Detection Distance	16.404 ft (5 m)
Detection Range (Horizontal x Vertical)	94° x 82°
Detection Zone	64 Zones
Ambient Light Sensing	0-94.8 FC (0-1020 LUX) Photo IC type
Operating Temperature	32° - 140°F (0° - 60°C) - Indoor use only
Operating Power	Less than 1mA
Standby Power	< 1W
Enclosure	ABS Plastic
Wireless Protocol	EnOcean Wireless Protocol
Wireless Range	150 ft (50 ft-150 ft typical) / 45.72 m (15.24 m - 45.72 m)
Certifications	IEC 62386-101:2014 IEC 62386-103:2014 CE
Dimensions	Tube diameter: 1.49" (47.85 mm) Total Height: 1.229" (31.22 mm) Cap diameter: 1.202" (30.53 mm) Thread Diameter: 0.864" (21.95 mm)





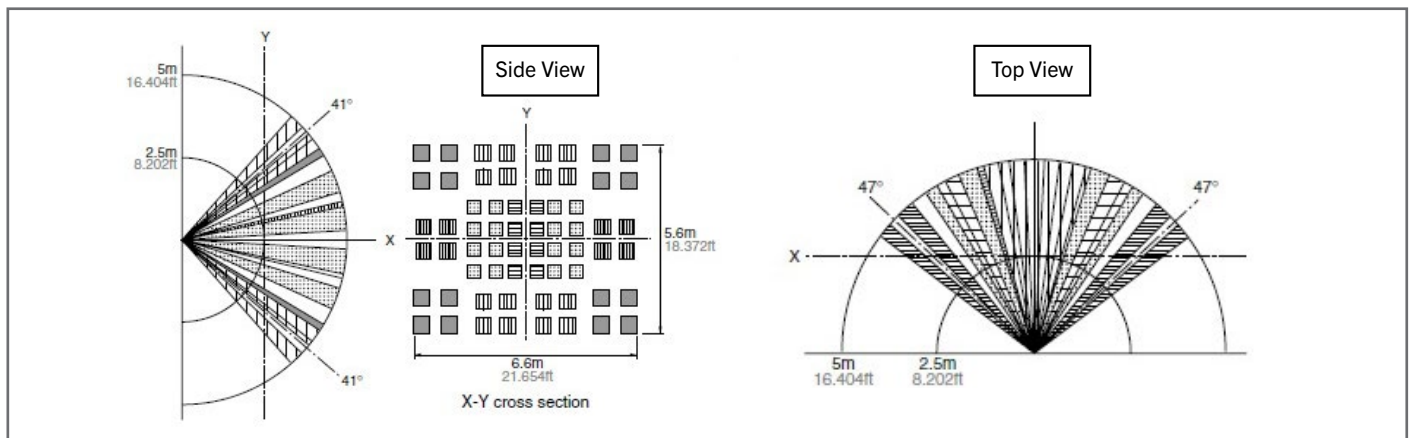
Proudly Made
In America



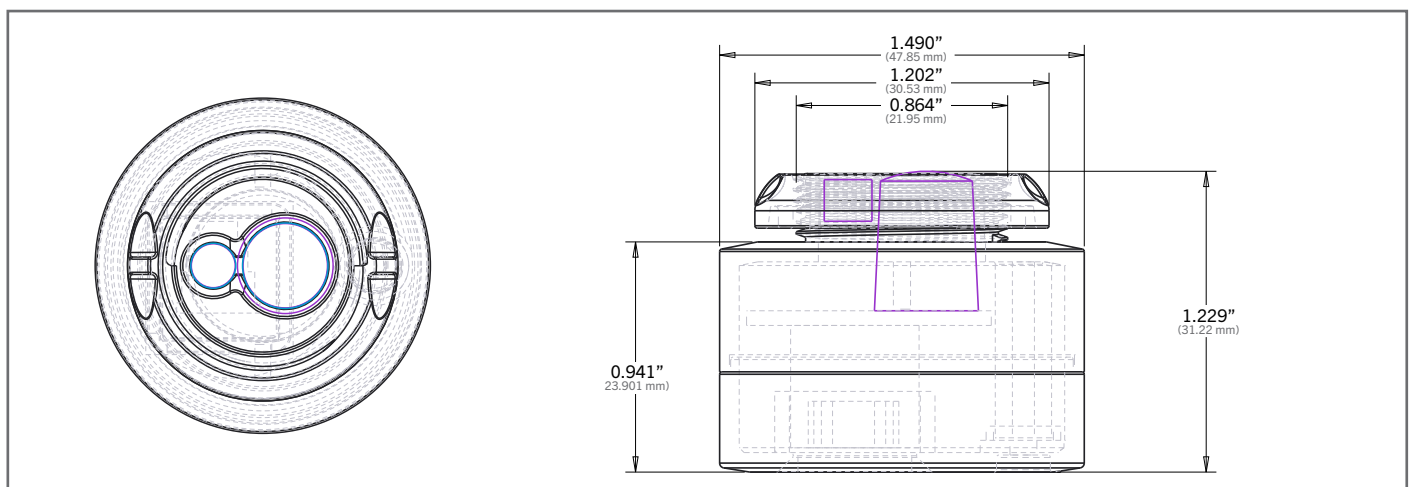
Mx-OPUS-LPML

WIRED MOTION SENSOR

DETECTION PERFORMANCE:



DIMENSIONS:





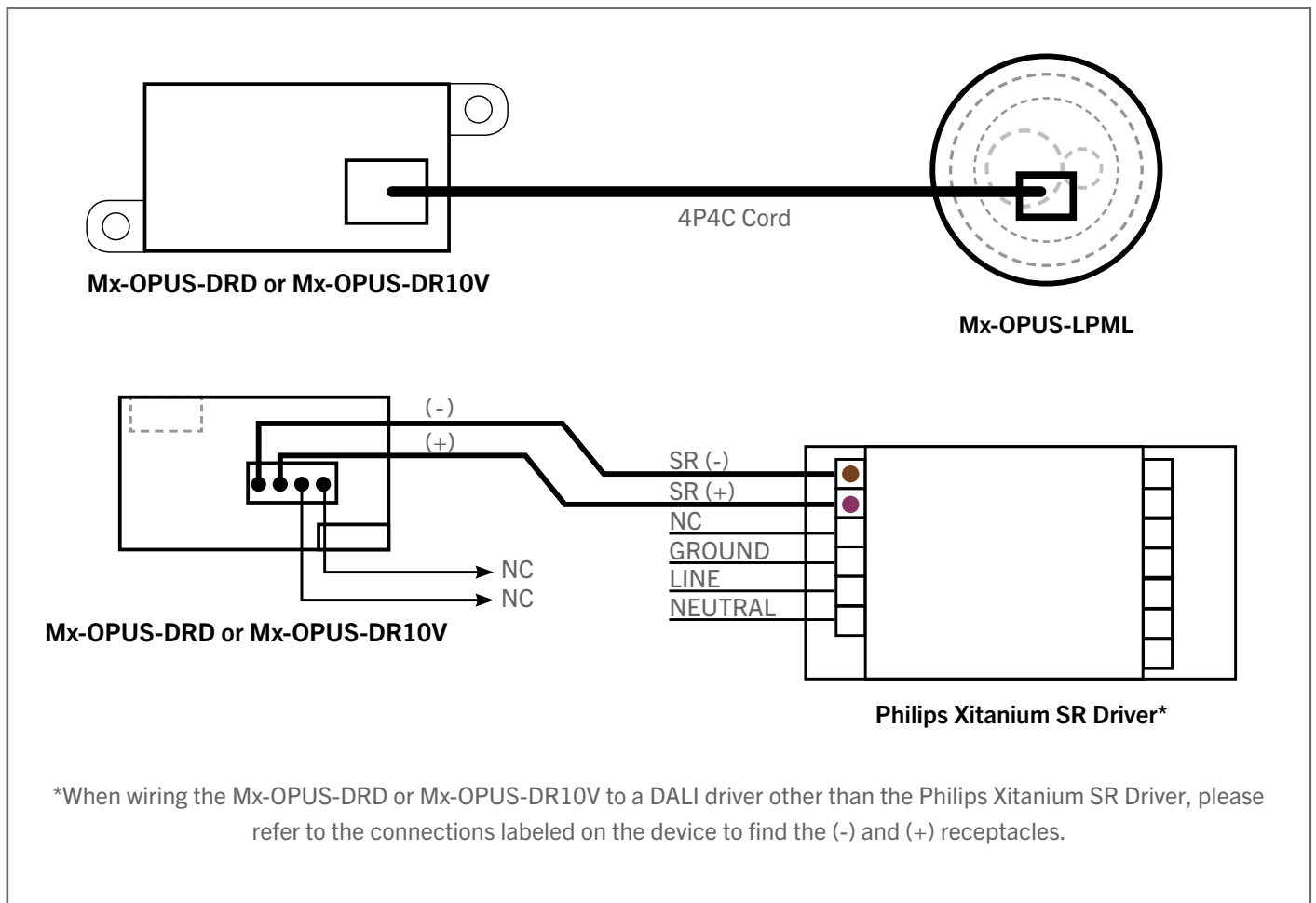
Proudly Made
In America



Mx-OPUS-LPML

WIRED MOTION SENSOR

WIRING DIAGRAM:



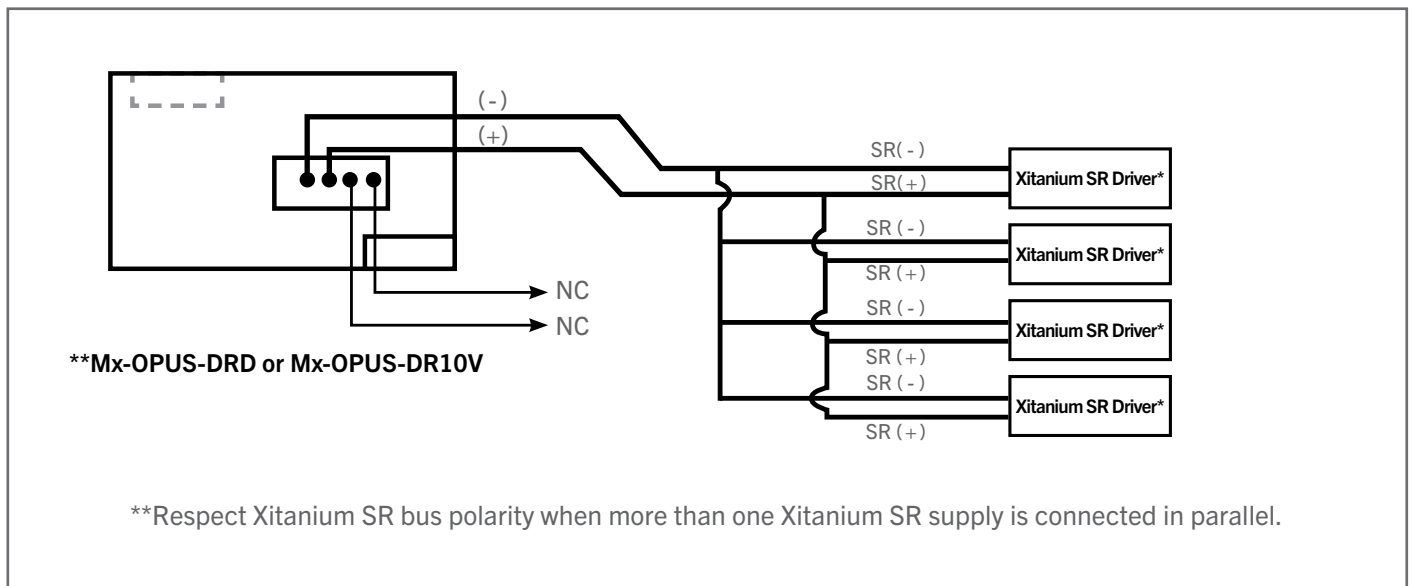


Proudly Made
In America

Mx-OPUS-LPML

WIRED MOTION SENSOR

WIRING DIAGRAM (CONTINUED)



ENVIRONMENTAL CONCERNS:

- Humidity degree: 15 to 85%Rh (Avoid condensation or freezing of this product)
- Pressure: 86 to 106KPa
- Overheating, oscillations, shocks can cause the sensor to malfunction.
- This sensor is not waterproof or dust-proof. Avoid use in environments subject to excessive moisture, condensation, frost, containing salt air or dust.
- Avoid use in environments with corrosive gases.