



Proudly Made
In America



Mx-OPUS-DR10V

IN FIXTURE 0-10V LIGHTING CONTROL FOR DIM-TO-OFF DRIVERS

OVERVIEW:

Magnum's in fixture Mx-OPUS-DR10V is compatible with 0-10V, dim-to-off LED drivers. The Mx-OPUS-DR10V is powered through available low voltage from the driver or an available 12-36 VDC, 12-24 VAC source near the fixture level. The Mx-OPUS-DR10V allows for 0-10V dimming and dim-to-off functionality, with compatible LED drivers, providing continuous dimming control to conserve energy, simplify maintenance and personalize the lighting environment.

DESCRIPTION:

The Mx-OPUS-DR10V is integrated into the lighting network at the fixture level. The Mx-OPUS-DR10V gives lighting OEMs and driver manufacturers the flexibility to incorporate lighting control as a value added part of their lighting related offering. The Mx-OPUS-DR10V also allows for multiple drivers to be connected together through the 0-10V output.

The Mx-OPUS-DR10V is designed to mount onto a fixture prior to leaving the manufacturing facility or can be retrofitted after the fact. This node communicates wirelessly over radio frequency to compatible wireless end devices, including occupancy sensors, LUX sensors, light switches and more. The Mx-OPUS-DR10V provides for both localized control as well as software driven functionality using Magnum's VenergyUI software (Mx-AP2). Using Magnum's Mx-EBOX, customers can also integrate the Mx-OPUS-DR10V into an existing BACnet based building automation system (BAS).

OPTIONS IN OPERATION:

Local Control: An on board microprocessor and memory allows for standardized operation at the fixture level, eliminating the reliance on software or network configuration. Mx-OPUS-DR10V can be utilized out of the box with default settings, or configured for advanced operation through AirConfig (download.magnum-innovations.net). Advanced preferences and behavior settings can be accomplished using simple drag and drop remote configuration in a localized fashion, even after the installation is completed.

Software Driven: The Mx-OPUS-DR10V can also be used with Magnum's VenergyUI software, allowing users to control lighting with their mobile devices.

Integration to BAS: The Mx-OPUS-DR10V has the ability to communicate information through Magnum's eBox (Mx-EBOX) and into an existing building automation system (BAS). The convergence of lighting and building automation allows for granular information to be communicated to the BAS for improved operational efficiency.



Proudly Made
In America



Mx-OPUS-DR10V

IN FIXTURE 0-10V LIGHTING CONTROL FOR DIM-TO-OFF DRIVERS

FEATURES:

- Wireless communication
- Remotely configurable
- Powered from driver or any available 12-36 VDC, 12-24 VAC source
- Compatible with 0-10V, dim-to-off LED drivers
- In fixture installation
- Connection for optional motion / lux sensor

TECHNICAL DATA:

Part Numbers (Frequency Dependent)	M9-OPUS-DR10V (902 MHz - North America) M8-OPUS-DR10V (868 MHz - Europe and China) MJ-OPUS-DR10V (928 MHz - Japan)
Input Voltage	12-36 VDC, 12-24 VAC
Dimmer Output	0-10VDC @ 30mA (sinking driver) 5mA (sourcing driver)
Standby Power	< 1W
Operating Temperature	32° - 140°F (0° - 60°C) - Indoor use only
Number of Outputs	1
Wireless Protocol	EnOcean Wireless Protocol
EnOcean Profile	A5-38-08 Type 0x02 Dimming
Wireless Range	150 ft (50 ft-150 ft typical) / 45.72 m (15.24 m - 45.72 m)
Certifications	FCC (United States) SZV-TCM3XXX IC (Canada) 5713A-TCMXXX CE DLC
Dimensions	Width: 1.30" (33.02 mm) Length: 3.09" (78.49 mm) Height: 0.89" (22.61 mm)





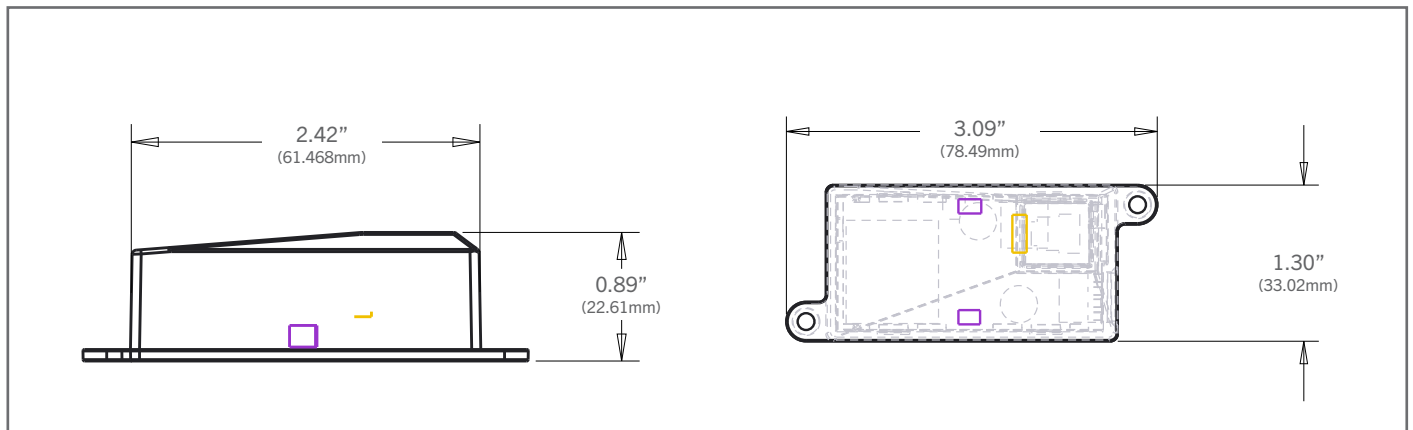
Proudly Made
In America



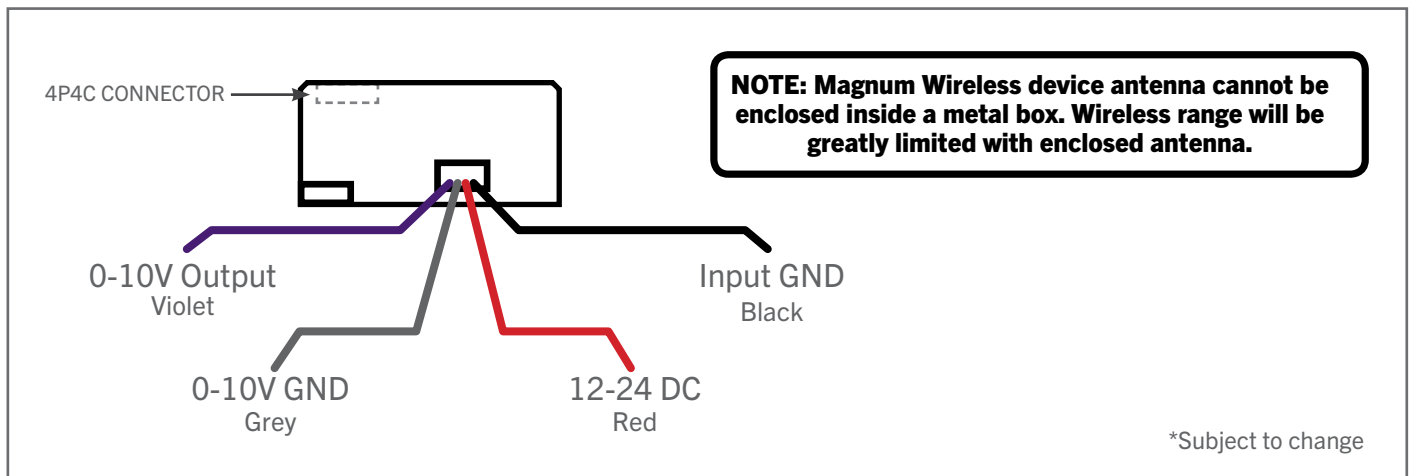
Mx-OPUS-DR10V

IN FIXTURE 0-10V LIGHTING CONTROL FOR DIM-TO-OFF DRIVERS

DIMENSIONS:



WIRING DIAGRAM & ANTENNA NOTE:





Proudly Made
In America



Mx-OPUS-DR10V

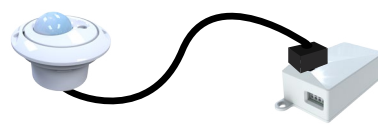
IN FIXTURE 0-10V LIGHTING CONTROL FOR DIM-TO-OFF DRIVERS

OPTIONAL WIRED MOTION COMBINED LUX SENSOR:

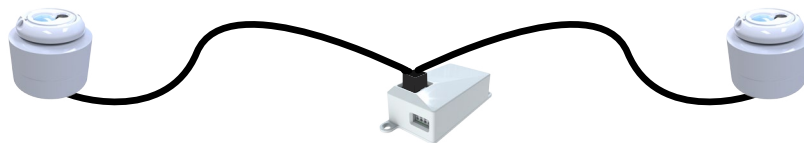
This product has an optional motion combined LUX sensor that is connected to the controller via a simple 3-wire connector. The separate sensor is optional and is available for both high bay sensing (up to 39 feet) and for standard, low ceiling applications (up to 15 feet).



Mx-OPUS-LPML wired motion / lux sensor for low ceiling applications of up to 15 ft (4.572 m)



Mx-OPUS-HPML wired motion / lux sensor for high bay applications of up to 39 ft (11.887 m)



Mx-OPUS-LPMLs or Mx-OPUS-HPMLs wired motion / lux sensors for low or high ceiling applications. Multiple sensor can be connected to single Mx-OPUS-DR10V with the use of a splitter for the 3-wire connector.