



Proudly Made
In America

Mx-OPUS-CLMLD

FIXTURE INTEGRATED DALI LIGHTING CONTROL

OVERVIEW:

Magnum's fixture integrated Mx-OPUS-CLMLD node, when connected to a Philips Xitanium SR driver or a DALI driver, enables any lighting manufacturer to deliver simple, fully connected fixtures. The small and sleek form factor includes a digital PIR and ambient light sensing for daylight harvesting applications as well as occupancy based ON/OFF control. Easy and seamless integration at the fixture level, Mx-OPUS-CLMLD eliminates the need for extra relays and control devices when paired with compatible dim-to-off LED drivers. This reduces the costs and complexity associated with creating an intelligent and individually addressable lighting scheme. The Mx-OPUS-CLMLD is appropriate for fixtures up to 15 feet and is rated for wet locations.

OPTIONS IN OPERATION:

Local Control: An on board microprocessor and memory allows for standardized operation at the fixture level, eliminating the reliance on software or network configuration. Mx-OPUS-CLMLD can be utilized out of the box with default settings, manually paired to sensors and switches or configured for advanced operation through AirConfig commissioning software (download.magnumes.net) by leveraging the Magnum wireless USB dongle (Mx-USB). Configuration can be done prior to the installation, during installation and even after installation is complete.

Software Driven: The Mx-OPUS-CLMLD can also be used with Magnum's VenergyUI software, allowing users to utilize mobile devices to connect to the lighting network to monitor and control lights remotely. VenergyUI includes macros, scheduling, demand response and real time energy reporting of each fixture.

Integration to BAS: The Mx-OPUS-CLMLD has the ability to communicate information through Magnum's eBox (Mx-EBOX) and into an existing building automation system (BAS). When driven by the Philips Advance Xitanium SR LED driver, the driver provides energy reporting data directly to the sensor unit. This data can then be communicated to the Mx-eBox and visualized in the BAS. The convergence of lighting and building automation allows for granular information to be communicated to the BAS for improved operational efficiency.

*Subject to change

Magnum Energy Solutions, LLC



Proudly Made
In America



Mx-OPUS-CLMLD

FIXTURE INTEGRATED DALI LIGHTING CONTROL

FEATURES:

- Full digital passive infrared for occupancy sensing
- Daylight harvesting
- Energy reporting at fixture level
- Powered from Xitanium SR, OSRAM Dexal or DALI power supply
- Light level / dimming
- Zone control allows multiple fixtures to share data
- Remotely configurable
- Wireless communication
- Control up to 4 drivers

TECHNICAL DATA:

Part Numbers (Frequency Dependant)	M9-OPUS-CLMLD (902 MHz - North America) M8-OPUS-CLMLD (868 MHz - Europe and China) MJ-OPUS-CLMLD (928 MHz - Japan)
Motion Sensing	Digital Passive IR
Detection Distance	16.404 ft (5 m)
Detection Range (Horizontal x Vertical)	94° x 82°
Detection Zone	64 Zones
Ambient Light Sensing	0-94.8 FC (0-1020 LUX) Photo IC type
Operating Temperature	32° - 140°F (0° - 60°C) - Indoor use only
Minimum Power Requirement	16V @24mA from Xitanium SR driver, OSRAM Dexal or DALI power supply
Standby Power	< 1W
Enclosure	ABS Plastic
EnOcean Profile	A5-38-08 central controller D2-29-06 status
Wireless Range	150 ft (50 ft-150 ft typical) / 45.72 m (15.24 m - 45.72 m)
Certifications	IEC 62386-101:2014 IEC 62386-103:2014 CE
Dimensions	Tube diameter: 1.00" (25.4 mm) Tube Length: 2.815" (71.50 mm) Cap diameter: 1.202" (30.53 mm) Total Length: 3.089" (78.46 mm)



*Subject to change

Magnum Energy Solutions, LLC

-2-



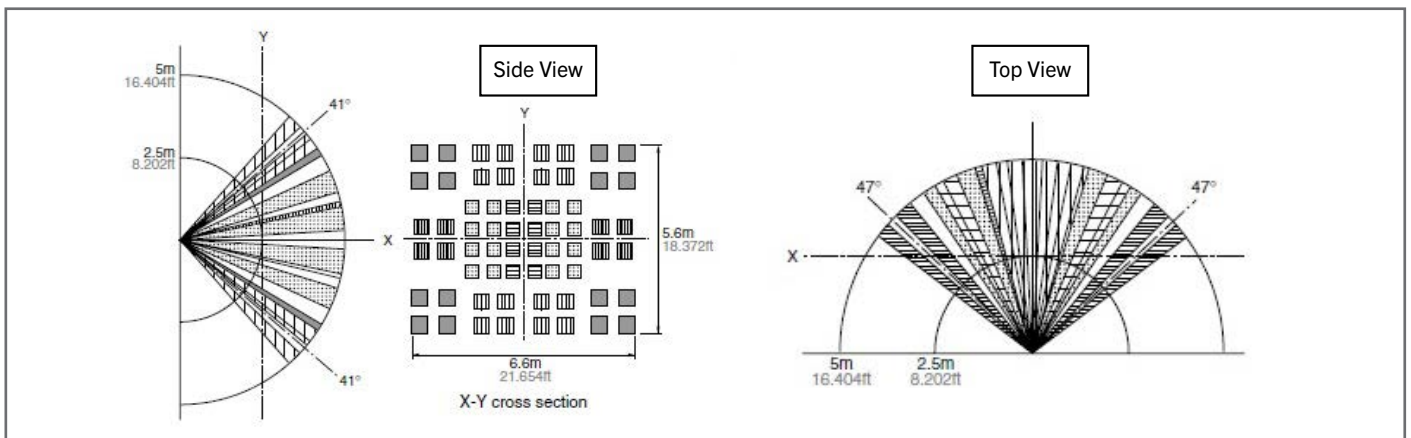
Proudly Made
In America



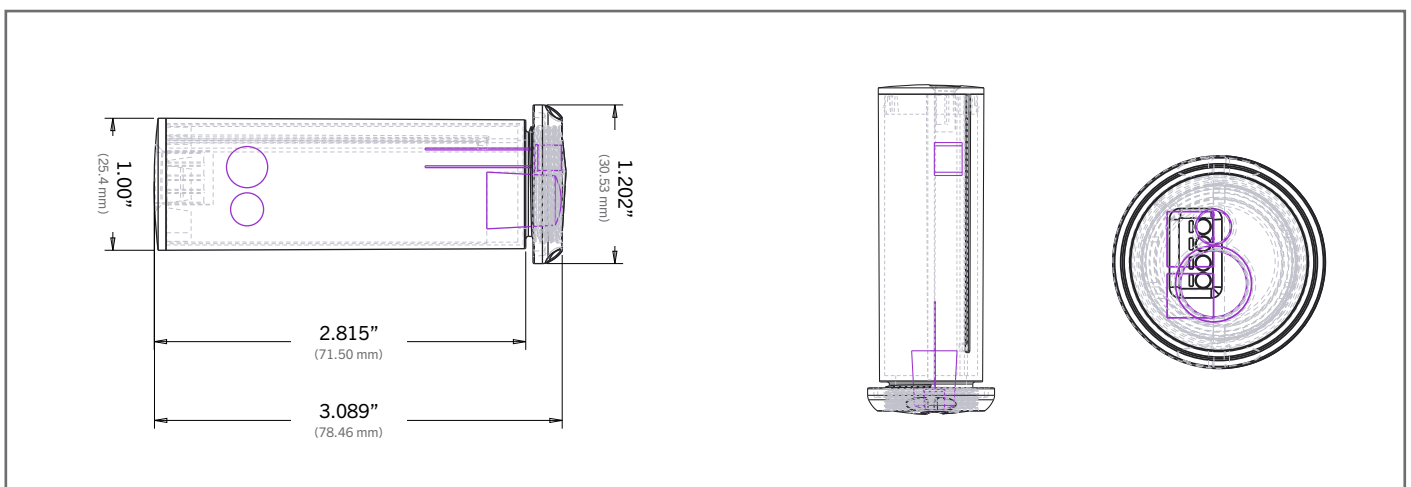
Mx-OPUS-CLMLD

FIXTURE INTEGRATED DALI LIGHTING CONTROL

DETECTION PERFORMANCE:



DIMENSIONS:



*Subject to change

Magnum Energy Solutions, LLC

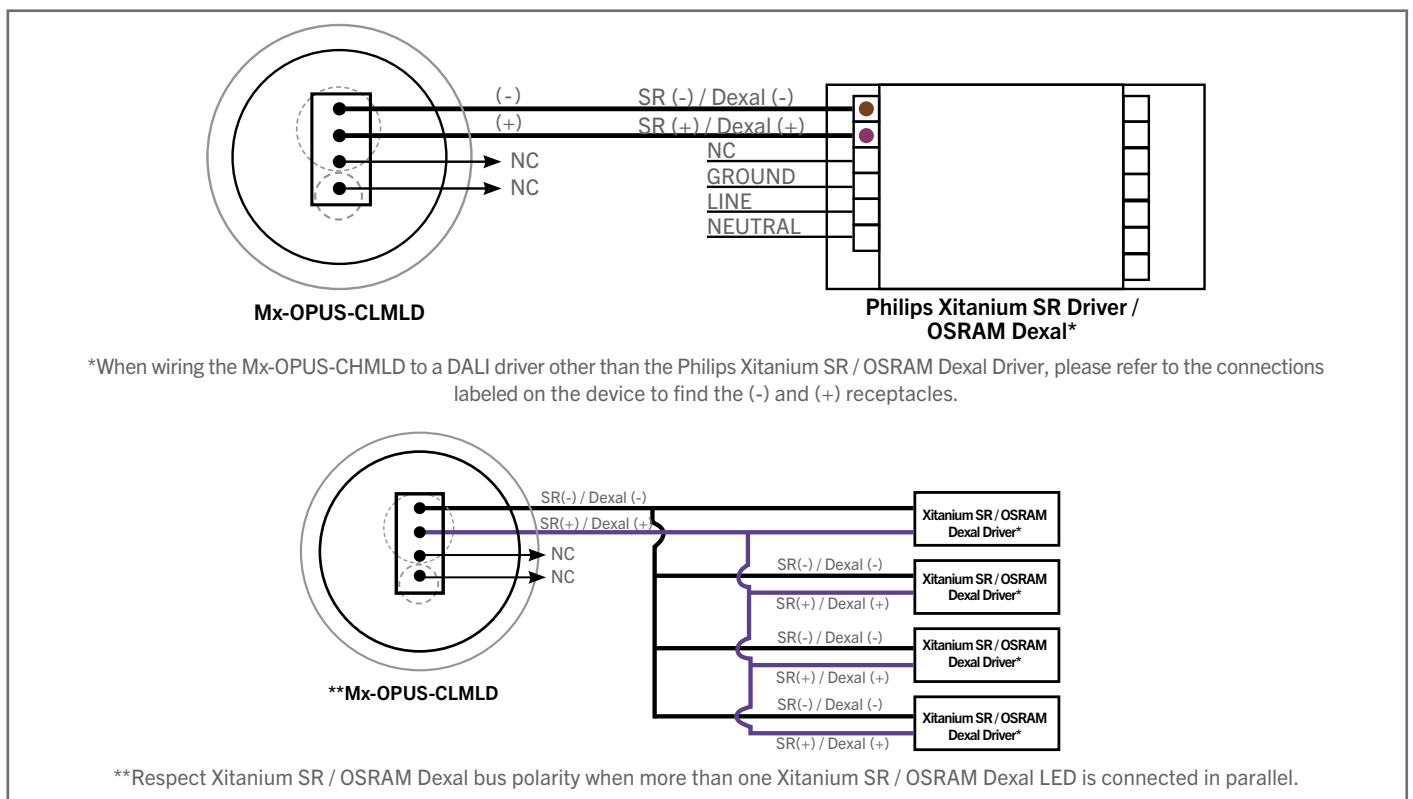


Proudly Made
In America

Mx-OPUS-CLMLD

FIXTURE INTEGRATED DALI LIGHTING CONTROL

WIRING DIAGRAM:



ENVIRONMENTAL CONCERNS:

- Humidity degree: 15 to 85%Rh (Avoid condensation or freezing of this product)
- Pressure: 86 to 106KPa
- Overheating, oscillations, shocks can cause the sensor to malfunction.
- This sensor is not waterproof or dust-proof. Avoid use in environments subject to excessive moisture, condensation, frost, containing salt air or dust.
- Avoid use in environments with corrosive gases.

NOTE: MES Wireless device antenna cannot be enclosed inside a metal box. Wireless range will be greatly limited with enclosed antenna.