

Proudly Made
In America

Mx-OPUS-CHMLD

FIXTURE INTEGRATED LIGHTING CONTROL

OVERVIEW:

Magnum's Fixture Integrated Mx-OPUS-CHMLD Node, when connected to a Philips Advance Xitanium SR LED driver, Osram Dexas driver or another compatible DALI driver, enables any lighting manufacturer to deliver simple standalone or fully connected fixtures. The small and sleek, cylindrical form factor includes digital PIR and ambient light sensing for daylight harvesting applications as well as occupancy based detection. Easy to integrate at the fixture level, OPUS node bi-directionally communicates data to and from the lighting control network. Enhanced features include cascading as well as sequential and adjacent lighting schemes, available in completely standalone operation. Cascading allows for the capture of an "output" signal, such as occupancy, from one node to be utilized as an "input" signal to another node or multiple nodes. When integrated to a building system, software or to an IoT application, node data includes light status, occupancy status, lux values as well as energy reporting when utilized with a Philips SR driver or Osram Dexas driver. The Mx-OPUS-CHMLD is appropriate for fixtures up to 39 feet.

OPTIONS IN OPERATION:

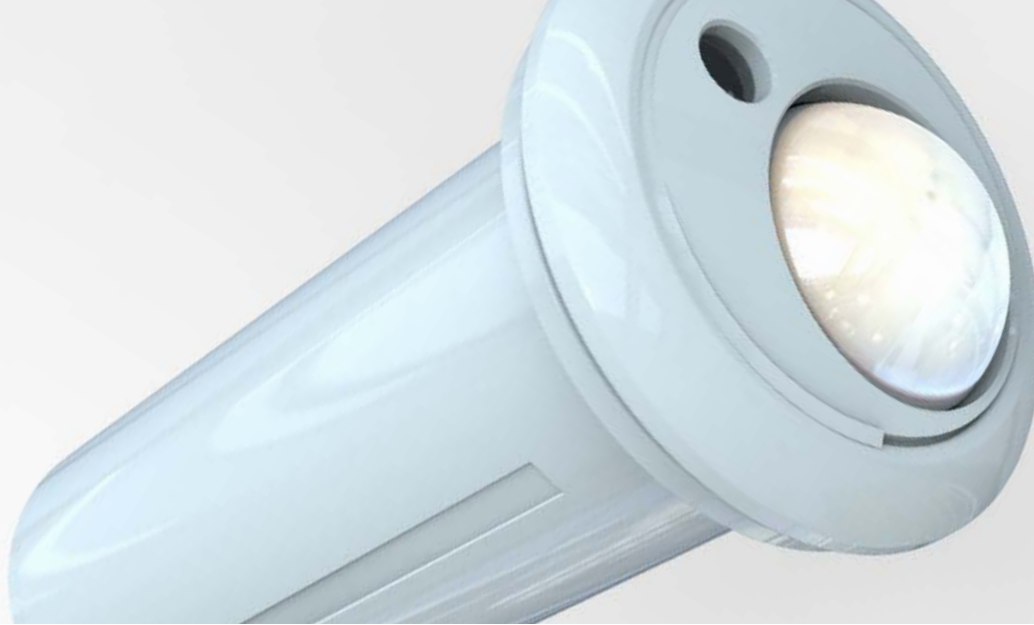
Local Control: An on board microprocessor and memory allows for standardized operation at the fixture level, eliminating the reliance on software or network configuration. Mx-OPUS-CHMLD can be utilized out of the box with default settings, manually paired to sensors and switches or configured for advanced operation through AirConfig (download.magnumes.net). Even advanced schedules, preferences and behavior settings can be accomplished using simple drag and drop remote configuration in a localized fashion, even after installation is completed.

Software Driven: The Mx-OPUS-CHMLD can also be used with Magnum's VenergyUI software, allowing users to utilize their mobile devices to connect to the lighting network and control fixtures remotely. VenergyUI includes macros, scheduling, demand response and real time energy reporting of each fixture.

Integration to BAS: The Mx-OPUS-CHMLD has the ability to communicate information through Magnum's eBox (Mx-EBOX) and into an existing building automation system. When driven by the Philips Advance Xitanium SR LED / OSRAM Dexas driver, the driver provides energy reporting data directly to the sensor unit. This data can then be communicated to the Mx-EBOX and visualized in the BAS. The convergence of lighting and building automation allows for granular information to be communicated to the BAS for improved operational efficiency.



Proudly Made
In America



Mx-OPUS-CHMLD

FIXTURE INTEGRATED LIGHTING CONTROL

FEATURES:

- Full digital passive infrared
- Light level
- Wireless communication
- Daylight harvesting
- Zone control allows multiple fixtures to share data
- Energy reporting at fixture level
- Remotely configurable
- Powered from Xitanium SR, OSRAM Dexas or DALI power supply

TECHNICAL DATA:

Part Numbers (Frequency Dependant)	M9-OPUS-CHMLD (902 MHz - North America) M8-OPUS-CHMLD (868 MHz - Europe & China) MJ-OPUS-CHMLD (928MHz - Japan)
Motion Sensing	Digital Passive IR
Detection Distance	12 m (39.3696 ft)
Detection Range (Horizontal x Vertical)	102° x 92°
Detection Zone	92 Zones
Ambient Light Sensing	0-94.8 FC (0-1020 LUX) Photo IC type
Operating Temperature	32° - 140°F (0° - 60°C) - Indoor use only
Minimum Power Requirement	16V @24mA from DALI driver
Standby Power	< 1W
Enclosure	ABS Plastic
EnOcean Profile	A5-38-08 central controller D2-29-06 status
Wireless Range	150 ft (50 ft to 150 ft typical)
Certifications	IEC 62386-101:2014 IEC 62386-103:2014 DLC
Dimensions	Tube diameter: 0.999" (25.37 mm) Catch diameter: 1.504" (38.20 mm) Cap diameter: 1.764" (44.81 mm) Tube length: 2.76" (70.10 mm)



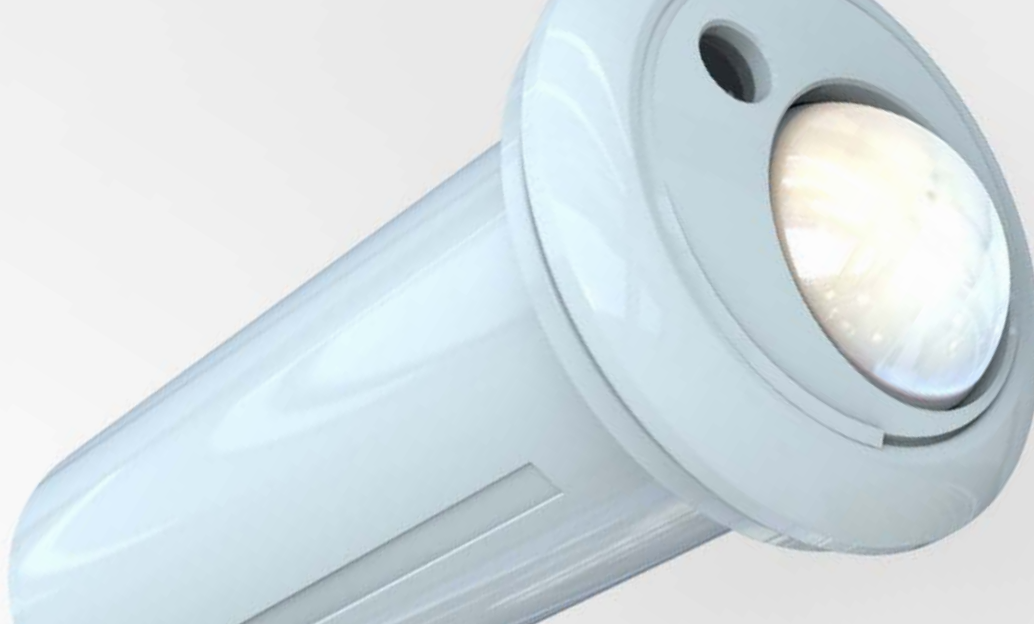
MAGNUM
OPUS

*Subject to change

Magnum Energy Solutions, LLC



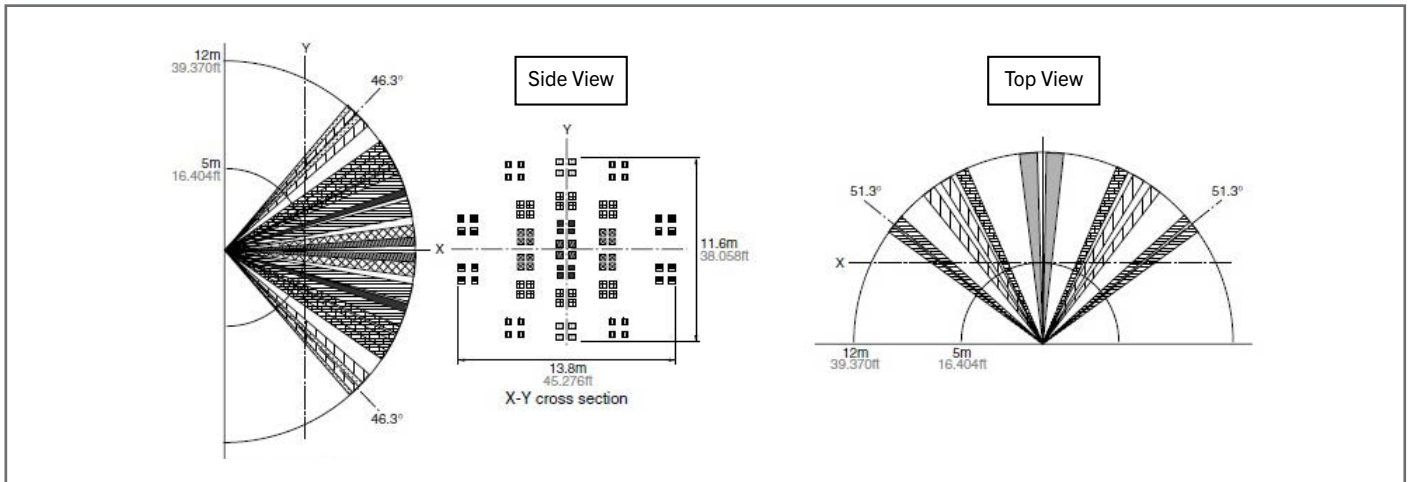
Proudly Made
In America



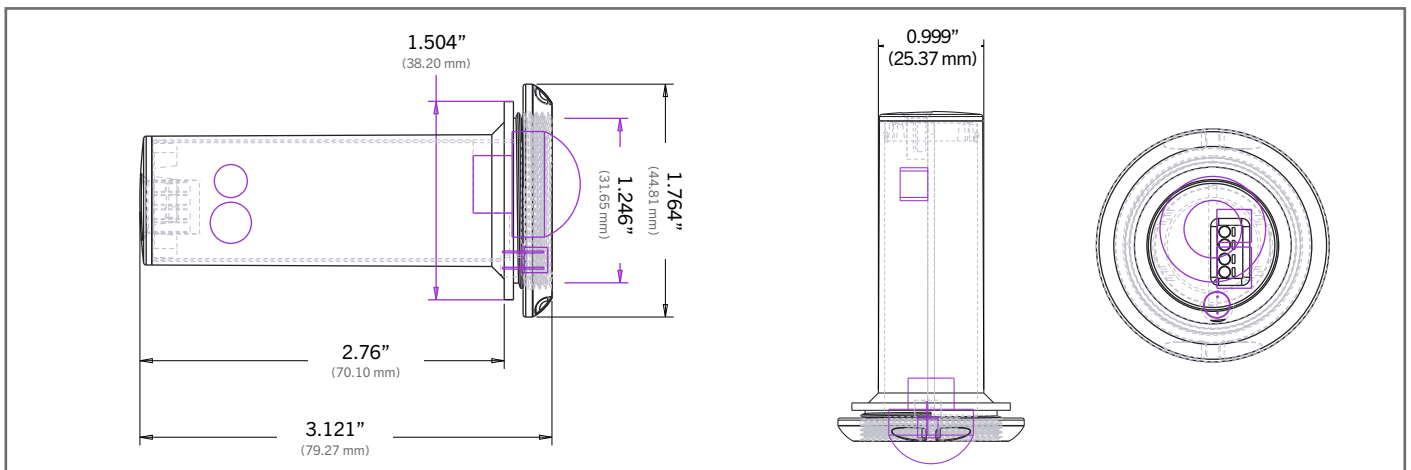
Mx-OPUS-CHMLD

FIXTURE INTEGRATED LIGHTING CONTROL

DETECTION PERFORMANCE:



DIMENSIONS:

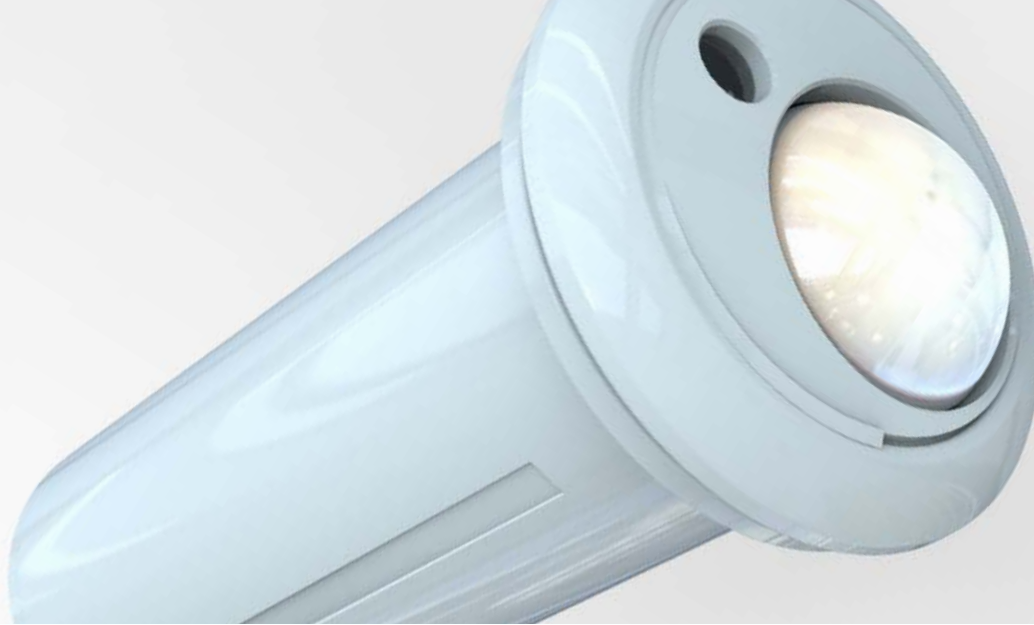


*Subject to change

Magnum Energy Solutions, LLC



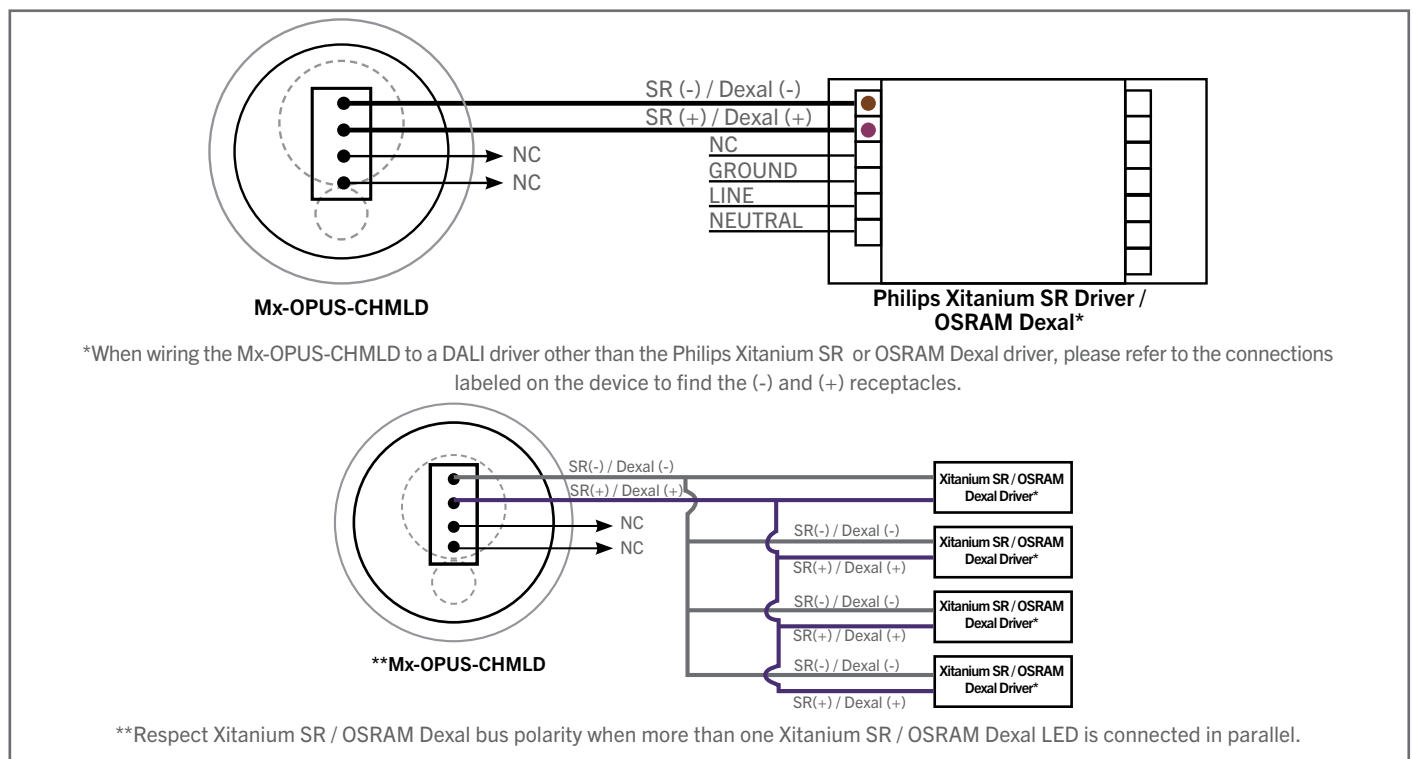
Proudly Made
In America



Mx-OPUS-CHMLD

FIXTURE INTEGRATED LIGHTING CONTROL

WIRING DIAGRAM:



NOTE: MES Wireless device antenna cannot be enclosed inside a metal box. Wireless range will be greatly limited with enclosed antenna.

ENVIRONMENTAL CONCERNS:

- Humidity degree: 15 to 85%Rh (Avoid condensation or freezing of this product)
- Pressure: 86 to 106KPa
- Overheating, oscillations, shocks can cause the sensor to malfunction.
- This sensor is not waterproof or dust-proof. Avoid use in environments subject to excessive moisture, condensation, frost, containing salt air or dust.
- Avoid use in environments with corrosive gases.