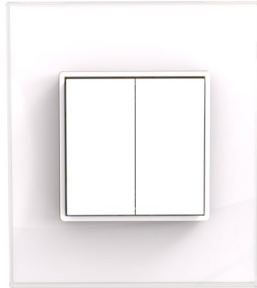


Mx-ASW1 / ASW2

Self Powered Wireless Switch With Dimming Capabilities



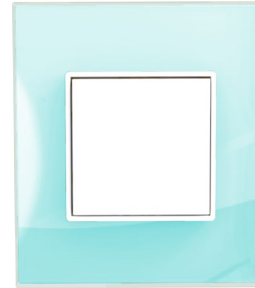
Product Images



Mx-ASW2-WW



Mx-ASW1-GW



Mx-ASW1-MW



Mx-ASW2-GB

Product Overview

Description

The light switch is a battery free wireless transmitter that communicates with a wide variety of receivers. Every time the light switch is pressed, a small micro generator produces a small electrical current that powers a built in transmitter. This transmitter sends wireless signals that command the relay/receiver to turn a device ON or OFF. With an appropriate receiver, the switch can be used to control lighting scenes and continuous dimming.

Norms & Standards

CE-Conformity:	89/336/EWG Electromagnetic compatibility R&TTE 1999/5/EC Radio and Telecommunications Terminal Equipment Directive
Standards:	ETSI EN 301 489-1: 2001-09 ETSI EN 301 489-3: 2001-11 ETSI EN 61000-6-2: 2002-08 ETSI EN 300 220-3: 2000-09

The general registration for the radio operation is valid for all EU-countries as well as for Switzerland.

FCC ID: SZV-PTM200

This device complies with Part 15 of the FCC Rules and RSS210 of Industry Canada.

Operation is subject to the following two conditions:

- (1) this device may not cause harmful interference, and
- (2) this device must accept any interference received, including interference that may cause undesired operation.

Warning: Changes or modifications made to this equipment not expressly approved by Magnum may void the FCC authorization to operate this equipment.

Mx-ASW1 / ASW2

Self Powered Wireless Switch With Dimming Capabilities



Technical Specifications



Proudly Made
In America



MAGNUM
OPUS

Part Numbers	<p>SINGLE SWITCH PART NUMBERS:</p> <p>Mx-ASW1-WW (exterior white acrylic frame and interior white switch) Mx-ASW1-WB (exterior white acrylic frame and interior black switch) Mx-ASW1-GB (exterior gun metal acrylic frame with interior black switch) Mx-ASW1-GW (exterior gun metal acrylic frame with interior white switch) Mx-ASW1-MB (exterior mint green acrylic frame with interior black switch) Mx-ASW1-MW (exterior mint green acrylic frame with interior white switch) Mx-ASW1-BW (exterior black acrylic frame with interior white switch) Mx-ASW1-BB (exterior black acrylic frame with interior black switch)</p> <p>DOUBLE SWITCH PART NUMBERS:</p> <p>Mx-ASW2-WW (exterior white acrylic frame and interior white switch) Mx-ASW2-WB (exterior white acrylic frame and interior black switch) Mx-ASW2-GB (exterior gun metal acrylic frame with interior black switch) Mx-ASW2-GW (exterior gun metal acrylic frame with interior white switch) Mx-ASW2-MB (exterior mint green acrylic frame with interior black switch) Mx-ASW2-MW (exterior mint green acrylic frame with interior white switch) Mx-ASW2-BW (exterior black acrylic frame with interior white switch) Mx-ASW2-BB (exterior black acrylic frame with interior black switch)</p> <p>The “x” in the part number describes the EnOcean radio frequency. The frequency for x=9 is 902 MHz for North America; x=8 is 868 MHz for Europe and China; x=J is 928 MHz for Japan.</p>
Integrated Radio Transmitter	EnOcean PTM 200
Energy Harvesting Source	Electrodynamic energy generator, maintenance free
Transmission Range	RPS Type 2 / 984 ft (300m) free field, typ. 30m within buildings
Dimensions	3.69” (W) x 4.19” (H) x .56” (H) (93.73 mm x 106.43 mm x 14.22 mm) <i>*Base plate dimensional drawing are on page 6</i>
Total Installation Height	.56” (14.224 mm)
Installation	Glued (double-sided mounting film enclosed) or screwed onto flat surface
Color Variants	White, Anthracite, Aluminum Varnished
Rocker Variants	2 channel (= 1 rocker with medial position), 4 channel (= 2 rockers)
Operating Travel / Operating Force	Approx. 2mm / 7N (at room temp.)
Switching Cycles	> 50.000 operations according to EN 60669 / VDE 0632
Humidity	0-95% r.h., no condensing (for dry environment only)
Temperature Range (operation):	from -13°F to 149°F (-25 to + 65°C)

Mx-ASW1 / ASW2

Self Powered Wireless Switch With Dimming Capabilities



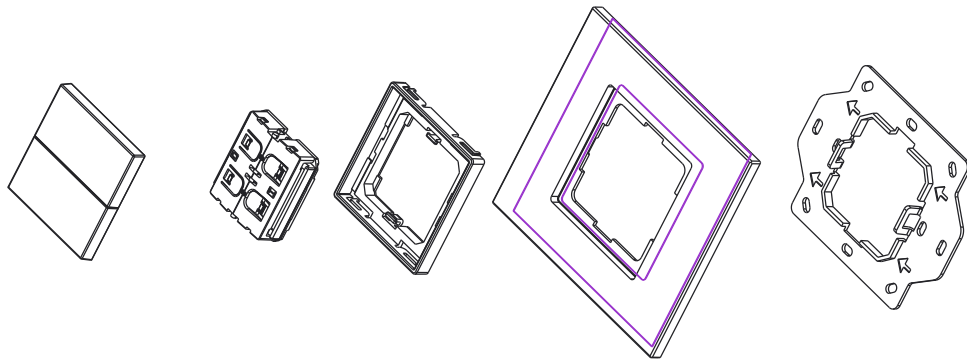
Installation

Mounting Advice

The switch frames can be attached directly to the wall by means of the base plate or they can be mounted to existing deep installation boxes.

- Mount base plate to the wall. Note the marking “↑”
- Snap switch frame, intermediate frame, radio module and actuating rocker(s) one after the other in the base plate.

When mounting, take notice that the alignment of the markings “O” and “I” on the radio module.



Depending on the ground (brick plaster, glass...) the base plate can be glued or screwed. In any case, the ground must be smooth. Unevenness can lead to malfunctions! Watch that no dust is getting inside the housing.

Screwing:

- Use screws only, that can be easily put into the mounting holes, e.g. 3 mm countersunk screws together with 5 mm dowels.
- Remove base plate from the radio switch and use the same as a template for marking the boreholes.
- Bore dowel holes
- Mount base plate and wireless insert as described

Gluing:

- The wireless switch inserts can be glued to smooth surfaces such as glass, painted walls, tiles, mobile partition walls made of plastics etc. by means of the adhesive foil included.

Mx-ASW1 / ASW2

Self Powered Wireless Switch With Dimming Capabilities



Installation (continued)

Mounting Advice (continued)

When mounting the wireless switch to glass surfaces at which the sensor can also be seen from the back side, a decoration foil (not supplied) in the size of the switch frame could first be glued to the glass in order to cover the back of the frame and the wireless switch. Glue the decoration foil to the glass surface first. Afterwards, glue the wireless switch by means of the attached adhesive foil as described in the chapter "Mounting".

Disassembly

- Lever the rocker together with the radio module.
- Ease the intermediate frame by releasing the latching crochet at the left and right.

Transmission Range

As the radio signals are electromagnetic waves, the signal is damped on its way from the sender to the receiver. That is to say, the electrical as well as the magnetic field strength is removed inversely proportional to the square of the distance between sender and receiver ($E, H \sim 1/r^2$).

Beside these natural transmission range limits, further interferences have to be considered: Metallic parts, e.g. reinforcements in walls, metalized foils of thermal insulations or metalized heat-absorbing glass, are reflecting electromagnetic waves. Thus, a so-called radio shadow is built up behind these parts.

It is true that radio waves can penetrate walls, but thereby the damping attenuation is even more increased than by a propagation in the free field.

Penetration of radio signals:

<i>Material</i>	<i>Penetration</i>
Wood, gypsum, glass uncoated	90...100%
Brick, pressboard	65...95%
Reinforced concrete	10...90%
Metal, aluminum pasting	0...10%

For the praxis, this means, that the building material used in a building is of paramount importance for the evaluation of the transmitting range. For an evaluation of the environment, some guide values are listed:

Radio path range/-penetration:

Visual contacts: Typ. 30m range in passages, corridors, up to 100m in halls

Rigypsum walls/wood: Typ. 30m range through max. 5 walls

Brick wall/Gas concrete: Typ. 20m range through max. 3 walls

Reinforced concrete/-ceilings: Typ. 10m range through max. 1 ceiling

Supply blocks and lift shafts should be seen as a compartmentalization

Mx-ASW1 / ASW2

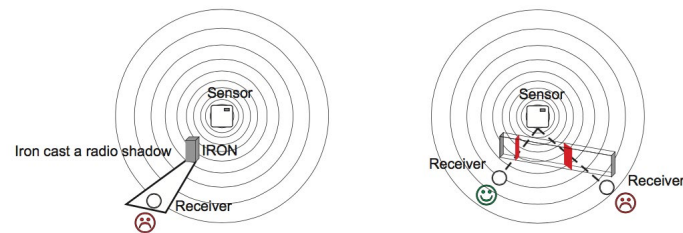
Self Powered Wireless Switch With Dimming Capabilities



Installation (continued)

Transmission Range (continued)

In addition, the angle with which the signal sent arrives at the wall is of great importance. Depending on the angle, the effective wall strength and thus the damping attenuation of the signal changes. If possible, the signals should run vertically through the walling. Walling recesses should be avoided.



Other Interference Sources

Devices, that also operate with high-frequency signals, e.g. computer, audio/video systems, electronic transformers and ballasts etc. are also considered as an interference source. The minimum distance to such devices should amount to 0,5m.

Find the Optimum Device Location by Means of the Field Strength-Measuring Instrument EPM100

Under the description EPM100 we understand a mobile field strength measuring instrument, which allows the plumber or electrician to easily determine the optimum mounting place for sensor and receiver. Moreover, it can be used for the examination of interfered connections of devices, already installed in the building.

At the device, the field strengths of radio telegrams received or interfered radio signals in the range 868MHz, 902MHz or 928MHz are displayed.

Proceeding upon determination of mounting place for radio sensor/ receiver:

Person 1 operates the radio sensor and produces a radio telegram by key actuation

By means of the displayed values on the measuring instrument, person 2 examines the field strength received and determines the optimum installation place, thus.

High-Frequency Emission of Radio Sensors

Since the development of cordless telephones and the use of radio systems in residential buildings, the influence of radio waves on people's health living and working in the building have been discussed intensively. Due to missing measuring results and long-term studies, very often great feelings of uncertainty have been existing with the supporters as well as with the critics of radio systems.

Mx-ASW1 / ASW2

Self Powered Wireless Switch With Dimming Capabilities



Installation (continued)

High-Frequency Emission of Radio Sensors (continued)

A measuring experts certificate of the institute for social ecological research and education (ECOLOG) has now confirmed, that the high-frequency emissions of radio keys and sensors based on EnOcean technology are considerably lower than comparable conventional keys.

Thus, it is good to know, that conventional keys do also send electromagnetic fields, due to the contact spark. The emitted power flux density (W/m^2) is 100 times higher than with radio sensors, considered over the total frequency range. In addition, a potential exposition by low- frequency magnet fields, emitted via the wires, are reduced due to wireless radio keys. If the radio emission is compared to other high-frequency sources in a building, such as DECT-telephones and basis stations, these systems are 1500 times higher-graded than radio keys.

Security Advice

CAUTION: The installation and assembly of electrical equipment may only be performed by a skilled electrician. The modules must not be used in any relation with equipment that supports, directly or indirectly, human health or life or with applications that can result in danger for people, animals or real value.

Base Plate Dimensional Drawings

